

essentials

— VALUE FOR MONEY



INSTRUCTION MANUAL

20L MICROWAVE OVEN



ART.NO.:10474722(P70B17L-D5)

ITEM NO.:5418051

EAN:6001224190892

INDOOR HOUSEHOLD USE ONLY

Please save and read this instruction manual carefully before use.

INTRODUCTION

Thank you for purchasing our “ESSENTIALS” Microwave Oven. Each unit has been manufactured to ensure safety, reliability, and ease to use. Before use, please read these instructions carefully and keep for further reference.

PRECAUTIONS FOR AVOIDING POTENTIALLY EXCESSIVE MICROWAVE ENERGY EXPOSURE

1. Do not attempt to operate this oven with the door open since open door operation can result in harmful exposure to microwave energy. It is important not to defeat or tamper with the safety interlocks.
2. Do not place any object between the oven front face and the door or allow soil or cleaner residue to accumulate on sealing surfaces.
3. Do not operate the oven if it is damaged. It is particularly important that the oven door close properly and that there is no damage to the
 - a. Door (bent),
 - b. Hinges and latches (broken or loosened),
 - c. Door seals and sealing surfaces.
4. The oven should not be adjusted or repaired by anyone except properly qualified service personnel.

INDEX

PRECAUTIONS FOR AVOIDING POTENTIALLY EXCESSIVE MICROWAVE ENERGY EXPOSURE1

IMPORTANT SAFETY INSTRUCTIONS2

SPECIFICATIONS3

INSTALLATION.....3

RADIO INTERFERENCE3

MICROWAVE COOKING PRINCIPLES4

GROUNDING INSTRUCTIONS4

BEFORE YOU CALL FOR SERVICE4

UTENSILS GUIDE5

COMPONENT PARTS.....5

CONTROL PANEL6

OPERATION6

CLEANING AND CARE.....7

WARRANTY8

IMPORTANT SAFETY INSTRUCTIONS

Always follow basic safety precautions when using electrical appliances:

WARNING: To minimize the risk of burns, electric shock, fire, personal injury or exposure to excessive microwave energy:

1. Read all instructions carefully before using the appliance.
2. Use this appliance only for its intended use as described in this manual. Do not use corrosive chemicals or gases in this appliance. This type of oven is specifically designed to heat, cook or dry food. It is not designed for industrial or laboratory use.
3. Do not operate the oven when it is empty.
4. Do not operate this appliance if it has a damaged cord or plug, if it is not working properly or if it has been damaged or dropped. If the power cord is damaged, it is a hazard that must be replaced by the manufacturer, its service agent or a similarly qualified person.
5. **WARNING:** Only allow children to use the oven without supervision when adequate instructions have been given so that the child is able to use the oven in a safe way and understands the risks of misusing the oven.
6. To reduce the risk of fire inside the oven:
 - ✧ When heating food in a plastic or paper container, check the oven frequently for the possibility of it catching on fire.
 - ✧ Remove wire twist-ties from paper or plastic bags before placing bag in oven.
 - ✧ If smoke is observed, switch off or unplug the appliance and keep the door closed in order to stifle any flames.
 - ✧ Do not store anything inside the oven. Do not leave paper products, cooking utensils or food inside the oven when it is not in use.
7. **WARNING:** Liquid or other food must not be heated in sealed containers since they are liable to explode.
8. Microwave heating of beverages can result in delayed eruptive boiling, therefore care has to be taken when handling the container.
9. Do not fry food in the oven. Hot oil can damage oven parts and utensils and even result in skin burns.
10. Eggs in their shell and whole hard-boiled eggs should not be heated in microwave ovens since they may explode even after the microwave has finished heating.
11. Pierce foods with heavy skins such as potatoes, whole squashes, apples and chestnuts before cooking them.
12. The contents of feeding bottles and baby jars should be stirred or shaken and the temperature should be checked before serving in order to avoid burns.
13. Cooking utensils may become hot because of heat transferred from the heated food. Potholders may be needed to handle the utensil.
14. Utensils should be checked to ensure that they are suitable for use in microwave oven.
15. **WARNING:** It is hazardous for anyone other than a trained person to carry out any service or repair operation which involves the removal of any cover which gives protection against exposure to microwave energy.
16. This product is classified as a Group 2 Class B ISM piece of equipment. This includes all ISM (Industrial, Scientific and Medical) equipment in which radio-frequency energy is intentionally generated and/or used in the form of electromagnetic radiation for the treatment of material, and spark erosion equipment. Class B equipment is equipment suitable for use in domestic establishments and in establishments directly connected to a low voltage power supply network which supplies buildings used for domestic purposes.
17. This appliance should not be used, unsupervised, by persons with physical, sensory, and/or intellectual limitations, by persons without any prior knowledge or CAR

ENGLISH

experience concerning the use of this appliance, or by children, unless they have been thoroughly on its use by the

individual(s) responsible for their well-being.

18. Children should be supervised to ensure that they do not play with the appliance.

SPECIFICATIONS

Power Consumption:	220-240V ~50Hz, 1200W(Microwave)
Rated microwave power output:	700W
Operation Frequency:	2450MHz
Outer Dimensions:	262mm(H)×452mm(W)×330mm(D)
Oven Cavity Dimensions:	198mm(H)×315mm(W)×294mm(D)
Oven Capacity:	20Litres
Cooking Uniformity:	Turtable System
Net Weight:	Approx.10.5kg

INSTALLATION

1. Make sure that all the packing materials are removed from the inside of the door.
2. **WARNING:** Check the oven for any damage, such as a misaligned or bent door, damaged door seals and sealing surface, broken or loose door hinges and latches and dents inside the cavity or on the door. If there is any damage, do not operate the oven and contact a qualified service technician immediately.
3. This microwave oven must be placed on a flat, stable surface to hold its weight and the heaviest food likely to be cooked in the oven.
4. Do not place the oven where heat, moisture, or high humidity are generated, or near combustible materials.
5. For correct operation, the oven must have sufficient airflow. Allow 20 cm of free space above the oven, 10 cm at back and 5 cm on both sides. Do not cover or block any openings on the appliance. Do not remove feet.
6. Do not operate the oven without glass tray, roller support, and shaft in their proper positions.
7. Make sure that the power cord is undamaged and does not run under the oven or over any hot or sharp surface.
8. The electric socket must be readily accessible so that it can be easily unplugged in case of an emergency.
9. Do not use the oven outdoors.

RADIO INTERFERENCE

Operation of the microwave oven can cause interference with your radio, TV, or similar equipment.

When there is interference, it may be reduced or eliminated by taking the following measures:

1. Clean the door and the sealing surface of the oven.
2. Reorient the radio's antenna of radio or television.
3. Relocate the microwave oven with respect to the receiver.
4. Move the microwave oven away from the receiver.
5. Plug the microwave oven into a different outlet so that microwave oven and receiver are on different branch circuits.

MICROWAVE COOKING PRINCIPLES

1. Arrange food carefully inside the oven. Place thickest areas towards outside of dish.
2. Watch cooking time. Cook for the shortest amount of time indicated and add more as needed. Food severely overcooked can smoke or ignite.
3. Cover foods while cooking. Covers prevent spattering and helps to cook the food evenly.
4. Turn the food over once during the microwave cooking process in order to speed up the cooking of such foods as chicken and hamburgers. Large items like roasts must be turned over at least once.
5. Rearrange foods such as meatballs halfway through the cooking time both from top to bottom and from the center of the dish to the outside.

GROUNDING INSTRUCTIONS

This appliance must be grounded. This oven is equipped with a cord having a grounding wire with a grounding plug. It must be plugged into an outlet that is properly installed and grounded. In the event of an electrical short circuit, grounding reduces the risk of electric shock by providing an escape wire for the electric current. It is recommended that a separate circuit serving only the oven be provided. Using a high voltage is dangerous and may result in a fire or other accident causing oven damage.

WARNING Improper use of the grounding plug can dramatically increase the risk of electric shock.

Note:

1. If you have any questions about the grounding or electrical instructions, consult a qualified electrician or service technician
2. Neither the manufacturer nor the dealer can accept any liability for either damages to the oven or personal injury which are the result of failing to follow the electrical connection procedures.

The wiring system is colored in accordance with the following code:

Green and Yellow = GROUND

Blue = NEUTRAL

Brown = LIVE

BEFORE YOU CALL FOR SERVICE

If the oven fails to operate:

1. Check to ensure that the oven is plugged in securely. If it is not, remove the plug from the outlet, wait 10 seconds, and plug it in again securely.
2. Check for a blown circuit fuse or a tripped main circuit breaker. If these seem to be operating properly, test the outlet with another appliance.
3. Check to ensure that the control panel is programmed correctly and the timer is set.
4. Check to ensure that the door is securely closed engaging the door safety locking system. Otherwise, the microwave energy will not flow into the oven.

IF NONE OF THE ABOVE MEASURES RECTIFIES THE SITUATION, THEN CONTACT A QUALIFIED TECHNICIAN. DO NOT TRY TO ADJUST OR REPAIR THE OVEN YOURSELF.

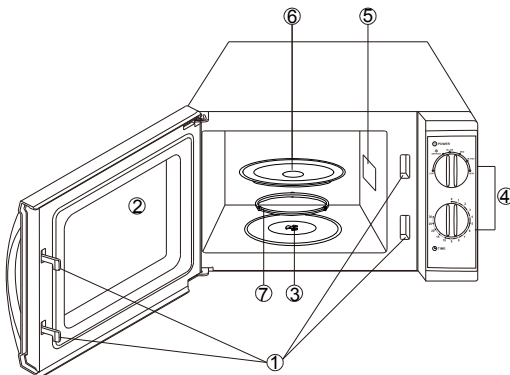
UTENSILS GUIDE

1. The ideal microwave bowls are the transparent ones, because they allow energy to pass through the container and heat the food.
2. Microwaves cannot penetrate metal, so metal utensils or dishes with metallic trim should not be used.
3. Do not use recycled paper products when cooking in the microwave, as they may contain small metal fragments which may cause sparks and/or fires.
4. Round /oval dishes rather than square/oblong ones are recommended, because with the latter, the food in the corners tends to overcook.
5. Narrow strips of aluminum foil may be used to prevent overcooking of exposed areas. But be careful not to use too much and keep a distance of 1 inch (2.54 cm) between the foil and the cavity.

The list below is a general guide to help you select the correct utensils.

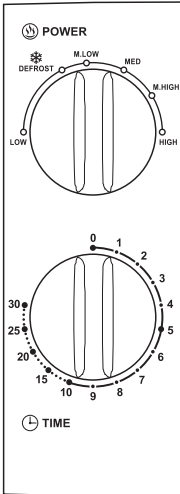
COOKWARE	MICROWAVE
Heat-Resistant Glass	Yes
Non Heat-Resistant Glass	No
Heat-Resistant Ceramics	Yes
Microwave-Safe Plastic Dish	Yes
Kitchen Paper	Yes
Metal Tray	No
Metal Rack	No
Aluminum Foil & Foil Containers	No

COMPONENT PARTS



1. Door Safety Locking System
2. Oven Window
3. Shaft
4. Control Panel
5. Wave Guide
6. Glass Tray
7. Roller Ring

CONTROL PANEL

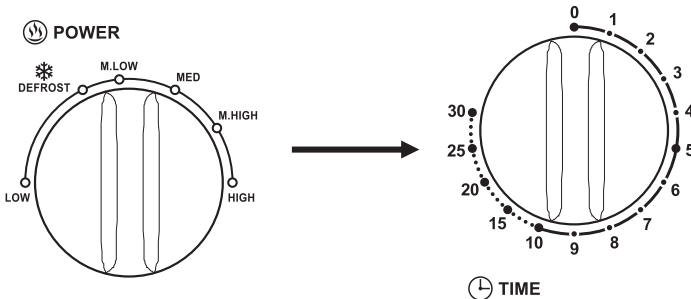


- ① Timer (0~30 minutes)
- ② Power Control

Power	Power Output
100%	High
85%	M. High
66%	Med
48%	M. Low
40%	Defrost
17%	Low

OPERATION

To set a cooking program: place food in the oven and close the door.



Turn the Power Control
to select the desired power level.

Use the Timer to select the
desired cooking time.

NOTE: As soon as the timer is turned, the oven will start cooking. When selecting time less than 2 minutes, turn the timer past 2 minutes and then return to the correct time.

CAUTION: Always return the timer back to zero position if food is removed from oven before the set cooking time is complete or when oven is not in use. To stop oven during cooking process, push the door release button and open the door.

CLEANING AND CARE

1. Turn off the oven and unplug it before cleaning.
2. Keep the inside of the oven clean. When food splatters or spilled liquids adhere to oven walls, wipe with a damp cloth. Mild detergent may be used if the oven gets very dirty. Avoid the use of sprays and other harsh cleaners as they may stain, streak or dull the door surface.
3. The outside surfaces should be cleaned with a damp cloth. To prevent damage to the operating parts inside the oven, water should not be allowed to seep into the ventilation openings.
4. Wipe the door and window on both sides, the door seals and adjacent parts frequently using a damp cloth to remove any spills or spatters. Do not use abrasive cleaner.
5. Do not allow the control panel to become wet. Clean with a soft, damp cloth. When cleaning the control panel, leave oven door open to prevent oven from accidentally turning on.
6. If steam accumulates inside or around the outside of the oven door, wipe with a soft cloth. This may occur when the microwave oven is operated in a very humid environment. It is entirely normal.
7. It is occasionally necessary to remove the glass tray for cleaning. Wash the tray in warm soapy water or in a dishwasher.
8. The roller ring and the oven floor should be cleaned regularly to avoid excessive noise. Simply wipe the bottom surface of the oven with mild detergent. The roller ring may be washed in mild soapy water or dishwasher. When removing the roller ring from the cavity floor for cleaning, be sure to replace in the proper position.
9. Eliminate odors from your oven by combining a cup of water with the juice and skin of one lemon in a deep bowl and microwaving it for 5 minutes. Wipe thoroughly and dry with a soft cloth.
10. When it becomes necessary to replace the oven light, please consult a dealer to have it replaced.
11. The oven should be cleaned regularly and any food deposits removed. Failure to maintain the oven in a clean condition could lead to deterioration of the surface that could adversely affect the life of the appliance and possibly create a fire hazard
12. Please do not dispose of this appliance with the regular garbage. It should be taken to the appropriate waste disposal center in your municipality.

WARRANTY

**PLEASE AFFIX YOUR RECEIPT/PROOF OF PURCHASE HERE.
IN THE EVENT OF A CLAIM UNDER THIS WARRANTY THE AFORESAID
RECEIPT/PROOF OF PURCHASE MUST BE PRODUCED TOGETHER WITH THIS
WARRANTY**

Model number	(Lot number :)
Product name	
Date of purchase	
Place of purchase	

1. The party selling the product ("the seller") to the original purchaser of this product ("the customer") hereby warrants that this product will be of good quality and, in good working order and, free of defects and suitable for its intended purpose under normal household use, for a period of 1 (one) year from the date of purchase ("warranty period") of this product.
2. In the event that the warranty period has not lapsed and the product is not of a good quality, or in good working order or, is defective or is not suitable for its intended purpose under normal household use, the customer may, subject to paragraph 3 below, return the product to the seller and have the following options available:
 - 2.1 Within the first 6 (six) months of the warranty: to receive a refund of the actual price paid or to exchange the product for the same or similar product of the same purchased value;
 - 2.2 Within the second 6 (six) months of the warranty: to have the product exchanged for the same or similar product of the same purchased value.
3. The seller will not replace the product or refund the customer in terms of this warranty if the product:
 - 3.1 has been altered contrary to the instructions provided in the product manual;
 - 3.2 has been misused, abused or tampered with;
 - 3.3 is defective or not in working order due to ordinary wear and tear;
 - 3.4 is damaged resulting from the customer' gross negligence, recklessness, malicious behavior or criminal conduct;
 - 3.5 has been utilised for commercial use.
4. This warranty applies only to the product that has been purchased from the seller and not to any expendables attached to or installed on the product by the customer.
5. Any claim in terms of this warranty must be supported by the original proof of purchase.
6. Note that the exchange item will only carry the balance of the warranty period as from the original date of purchase.

essentials
— VALUE FOR MONEY



MODE D'EMPLOI FOUR MICROONDE DE 20L



ART.NO.:10474722(P70B17L-D5)

ITEM NO.:5418051

EAN:6001224190892

**UNIQUEMENT POUR UNE UTILISATION
DOMESTIQUE EN INTÉRIEUR**

Veuillez lire ce mode d'emploi avant utilisation.

INTRODUCTION

Merci d'avoir acheté notre four à microondes "ESSENTIAL". Chaque unité a été conçue pour assurer que nos clients bénéficient de la sécurité, de la fiabilité, et de la facilité d'utilisation de nos produits. Avant utilisation, veuillez lire attentivement ces instructions. Conservez ce mode d'emploi pour une prochaine consultation.

PRÉCAUTIONS À PRENDRE POUR ÉVITER UNE EXPOSITION EXCESSIVE À L'ÉNERGIE DES MICRO-ONDES

1. N'essayez pas de faire fonctionner ce four en gardant la porte ouverte. Tout fonctionnement avec la porte ouverte peut entraîner une exposition dangereuse à l'énergie des micro-ondes. Les dispositifs de sécurité ne doivent pas être modifiés ou détruits.
2. Ne placez aucun objet entre la face avant et la porte du four et ne laissez s'accumuler aucune saleté ou résidu de produit nettoyant sur les surfaces d'étanchéité.
3. N'utilisez pas le four s'il est présente un signe de dommage. La porte du four doit se fermer correctement afin de ne pas endommager :
 - a. La porte (déformation),
 - b. Les charnières et taquets (rupture ou relâchement),
 - c. Les joints de la porte et les surfaces d'étanchéité.
4. Le four doit uniquement être réglé ou réparé par un technicien qualifié.

SOMMAIRE

PRÉCAUTIONS À PRENDRE POUR ÉVITER UNE EXPOSITION EXCESSIVE À L'ÉNERGIE DES MICRO-ONDES	1
CONSIGNES DE SÉCURITÉ IMPORTANTES	2
CARACTÉRISTIQUES	3
INSTALLATION	3
INTERFÉRENCES RADIO	4
PRINCIPES DE CUISSON AU MICRO-ONDES	4
MISE À LA TERRE	4
AVANT DE CONTACTER L'ASSISTANCE	5
GUIDE DES USTENSILES	5
COMPOSANTS	6
PANNEAU DE COMMANDE	6
FONCTIONNEMENT	7
NETTOYAGE ET ENTRETIEN	7
GARANTIE	9

CONSIGNES DE SÉCURITÉ IMPORTANTES

Veillez toujours suivre les consignes de sécurité basiques lorsque vous utilisez un appareil électrique :

AVERTISSEMENT : Afin de minimiser le risque de brûlures, d'électrocution, d'incendie, de blessures corporelles ou d'une exposition excessive à l'énergie des micro-ondes :

1. Veuillez lire attentivement toutes les instructions avant d'utiliser cet appareil.
2. Utilisez cet appareil uniquement aux fins prévues dans ce manuel. N'utilisez pas de produits chimiques corrosifs ni de gaz dans cet appareil. Ce type de four est spécifiquement conçu pour chauffer, cuire ou sécher des aliments. Il n'est pas conçu pour une utilisation industrielle ou en laboratoire.
3. Ne mettez pas le four en marche lorsqu'il est vide.
4. N'utilisez pas cet appareil si la fiche ou le câble d'alimentation est endommagé, s'il ne fonctionne pas correctement, s'il a subi une chute ou a été endommagé. Un cordon d'alimentation endommagé peut être source de danger et doit être remplacé par le fabricant, son revendeur agréé ou toute personne qualifiée.
5. **AVERTISSEMENT** : Les enfants ne doivent pas utiliser le four sans surveillance à moins qu'ils n'aient été préalablement informés du mode d'emploi. Ils doivent utiliser le four en toute sécurité et comprendre les risques liés à une mauvaise utilisation.
6. Afin de réduire le risque d'incendie à l'intérieur du four :
Lorsque vous faites chauffer des aliments dans un emballage en plastique ou en papier, vérifiez régulièrement qu'il ne s'enflamme pas.
Retirez les fils métalliques qui permettent de fermer les sacs en papier et en plastique avant de placer ces sacs dans le four.
En cas de fumée, éteignez ou débranchez l'appareil et laissez la porte fermée afin

d'éteindre toute flamme éventuelle.

Ne rangez rien à l'intérieur du four. Ne laissez aucun produit en papier, ustensile de cuisine ou aliments à l'intérieur du four lorsque vous ne l'utilisez pas.

7. **AVERTISSEMENT** : Ne faites pas chauffer des aliments ou des liquides dans un récipient fermé dans la mesure où ils risqueraient d'exploser.
8. Si vous faites chauffer des boissons au four à micro-ondes, soyez particulièrement vigilant lorsque vous sortez le récipient. Ce moyen de cuisson peut entraîner une ébullition à retardement.
9. Ne faites rien frire à l'intérieur du four. L'huile bouillante peut endommager les composants et les ustensiles, voire causer des brûlures corporelles.
10. Les œufs crus et les œufs durs, encore enveloppés de leur coquille, ne doivent pas être chauffés au four à micro-ondes car ils risqueraient d'exploser une fois la cuisson terminée.
11. Percez les aliments à peau dure tels que les pommes de terre, les courges et pommes entières, ainsi que les châtaignes, avant de les faire cuire au four à micro-ondes.
12. Les biberons et petits pots doivent être remués ou secoués. Vérifiez la température avant de servir afin d'éviter toute brûlure.
13. Les ustensiles de cuisine peuvent être chauds si la chaleur a été transmise par les aliments. Des gants de cuisine peuvent être nécessaires pour manipuler l'ustensile.
14. Assurez-vous que les ustensiles sont adaptés pour une utilisation au four à micro-ondes.
15. **AVERTISSEMENT** : Seule une personne qualifiée peut réparer l'appareil et retirer le couvercle qui protège de l'exposition à l'énergie des micro-ondes. Cette opération est dangereuse pour toutes les autres personnes.
16. Ce produit est classé comme un appareil

ISM du Groupe 2, de Classe B. Le Groupe 2 couvre tout le matériel ISM (Industriel, Scientifique, Médical) dans lequel de l'énergie en radio-fréquence est produite volontairement et / ou utilisée sous la forme de radiation électromagnétique pour le traitement de matériaux, et le matériel d'érosion par étincelage. Les appareils de la Classe B sont compatibles avec une utilisation en milieu domestique et dans les endroits directement reliés à un réseau d'alimentation en électricité à basse tension.

17. Cet appareil ne doit pas être utilisé par des enfants ou des personnes à capacités physiques, sensorielles ou mentales réduites, ou avec un manque d'expérience ou de connaissances concernant l'utilisation de cet appareil, à moins que ces personnes n'aient été rigoureusement informées des consignes d'utilisation par le(s) individu(s) responsable(s) de leur bien-être.
18. Les enfants ne doivent pas jouer avec l'appareil.

CARACTÉRISTIQUES

Alimentation :	220-240V~50Hz, 1200W (Micro-ondes)
Puissance de sortie :	700W
Fréquence de fonctionnement :	2450MHz
Dimensions extérieures :	262mm(H)×452mm(L)×330mm(P)
Dimensions de la cavité du four :	198mm(H)×315mm(L)×294mm(P)
Capacité du four :	20 litres
Mode de cuisson :	Plateau tournant
Poids net :	Environ 10,5kg

INSTALLATION

1. Veillez à retirer tous les emballages, y compris ceux qui se trouvent à l'intérieur de la porte.
2. **AVERTISSEMENT** : Vérifiez que le four ne présente aucun signe de dommage (porte mal alignée ou déformée, joints de porte / surface d'étanchéité endommagés, charnières de porte cassées ou desserrées, cavité du four bosselée). N'utilisez pas l'appareil s'il présente la moindre anomalie et contactez immédiatement un technicien qualifié.
3. Ce four micro-ondes doit être placé sur une surface plane et stable pouvant soutenir son poids et celui des aliments les plus lourds pouvant y être cuisinés.
4. Placez le four à l'écart de toute source de chaleur, d'humidité, de forte humidité ou de matériaux combustibles.
5. Le four doit être suffisamment aéré pour fonctionner correctement. Prévoyez 20 cm d'espace au-dessus du four, 10 cm à l'arrière et 5 cm sur les côtés. Ne couvrez pas et n'obstruez pas les ouvertures de l'appareil. Ne retirez pas les pieds.
6. N'utilisez pas le four sans avoir placé correctement le plateau en verre, le support à roulettes et l'entraîneur.
7. Assurez-vous que le cordon d'alimentation n'est pas endommagé et ne passe pas sous le four ni sur une surface chaude ou coupante.
8. La fiche électrique doit être facilement accessible de manière à pouvoir débrancher rapidement le four en cas d'urgence.
9. N'utilisez pas le four en laissant la porte ouverte.

INTERFÉRENCES RADIO

Le four micro-ondes peut provoquer des interférences avec votre radio, votre téléviseur ou vos appareils similaires.

En cas d'interférences, celles-ci peuvent être supprimées ou réduites en procédant comme suit :

1. Nettoyez la porte et la surface d'étanchéité du four.
2. Réorientez l'antenne de votre radio ou

téléviseur.

3. Déplacez le four à micro-ondes par rapport au récepteur.
4. Éloignez le four à micro-ondes du récepteur.
5. Branchez votre four à micro-ondes sur une prise différente de manière à ce que les appareils ne se trouvent pas sur le même circuit

PRINCIPES DE CUISSON AU MICRO-ONDES

1. Arrangez soigneusement les aliments à l'intérieur du four. Placez les parties les plus épaisses au bord du plat.
2. Surveillez le temps de cuisson. Faites cuire vos aliments en fonction de la durée de cuisson la plus courte ; rallongez si nécessaire la cuisson. Des aliments trop cuits peuvent dégager de la fumée ou s'enflammer.
3. Couvrez le plat pendant la cuisson. Le couvercle évitera les éclaboussures et la

cuisson sera uniforme.

4. Tournez une fois les aliments en cours de cuisson afin d'accélérer la cuisson des aliments tels que le poulet ou les steaks hachés. Les aliments plus volumineux tels que les rôtis doivent être retournés au moins une fois.
5. Remuez à mi-cuisson les aliments tels que les boulettes de viande : retournez-les et déplacez-les du centre vers l'extérieur.

MISE À LA TERRE

Cet appareil doit être raccordé à la terre. Cet appareil est équipé d'un câble doté d'un conducteur de terre et d'une prise de mise à la terre. Il doit être branché sur une prise murale correctement installée avec mise à la terre. En cas de court-circuit, la mise à la terre réduit le risque d'électrocution en permettant au courant électrique d'être évacué par le fil de terre. Il est conseillé de brancher le four à micro-ondes sur un circuit dédié. Une tension élevée peut être dangereuse et entraîner des risques d'incendie ou d'autres accidents pouvant endommager le four.

AVERTISSEMENT Une mauvaise utilisation de la prise de mise à la terre peut augmenter considérablement le risque d'électrocution.

Remarque :

1. Pour toute question concernant la mise à la terre ou le branchement électrique, veuillez consulter un électricien ou un technicien qualifié.
2. Le fabricant et le revendeur ne peuvent être tenus responsables de tout dommage causé au four ou de toute blessure corporelle résultant du non-respect de la procédure de branchement électrique.

FRANÇAIS

Les fils électriques sont colorés selon le code suivant :

Fil vert et jaune = TERRE

Fil bleu = NEUTRE

Fil marron = PHASE

AVANT DE CONTACTER L'ASSISTANCE

Si le four ne fonctionne pas :

1. Vérifiez que le four est correctement branché. Si ce n'est pas le cas, débranchez la fiche de la prise murale. Attendez 10 secondes et rebranchez-la correctement.
2. Contrôlez l'installation électrique en vérifiant la présence de fusible grillé ou d'un disjoncteur déclenché. Si tout semble fonctionner correctement, testez la prise murale avec un autre appareil.
3. Vérifiez que le panneau de commande est correctement programmé et que la minuterie est réglée.
4. Vérifiez que la porte est correctement fermée avec le système de sécurité. Dans le cas contraire, l'énergie des micro-ondes ne circule pas à l'intérieur du four.

SI AUCUNE DES OPÉRATIONS CI-DESSUS NE RÉSOUT LA SITUATION, CONTACTEZ UN TECHNICIEN QUALIFIÉ. NE TENTEZ PAS DE RÉPARER VOUS-MÊME LE FOUR.

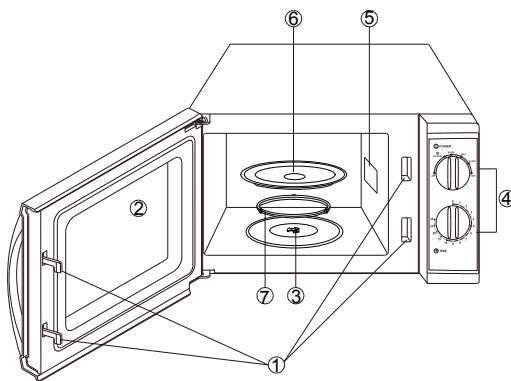
GUIDE DES USTENSILES

1. Les récipients qui conviennent le mieux au four à micro-ondes sont les récipients transparents qui laissent passer l'énergie et chauffent les aliments.
2. Les micro-ondes ne peuvent pas pénétrer le métal. Il n'est donc pas conseillé d'utiliser des récipients métalliques ou bordés de métal.
3. N'utilisez pas de papier recyclé qui pourrait contenir des particules de métal pouvant provoquer des étincelles et/ou un incendie.
4. Les plats ronds ou ovales sont préférables aux plats rectangulaires ou carrés car les aliments placés dans les angles ont tendance à trop cuire.
5. De petites bandes de papier aluminium peuvent être utilisées pour éviter que certains aliments ne cuisent trop. Soyez cependant très prudent et veillez à laisser une distance de 2.54 cm entre le papier aluminium et la surface intérieure du four.

La liste suivante vous aidera à choisir les bons ustensiles :

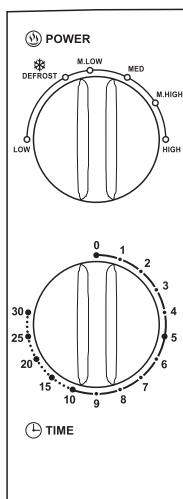
USTENSILE	MICRO-ONDES
Verre résistant à la chaleur	Oui
Verre non-résistant à la chaleur	Non
Céramique résistante à la chaleur	Oui
Plat en plastique pour micro-ondes	Oui
Papier sulfurisé	Oui
Plateau en métal	Non
Grille en métal	Non
Papier et plats en aluminium	Non

COMPOSANTS



1. Système de verrouillage de la porte
2. Fenêtre du four
3. Arbre
4. Panneau de commande
5. Guide d'ondes
6. Plateau en verre
7. Support de roulement

PANNEAU DE COMMANDE

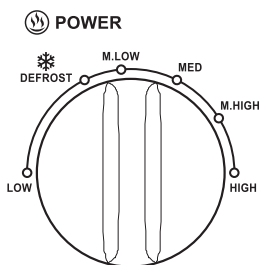


- ① Minuterie (0-30 minutes)
- ② Réglage de la puissance

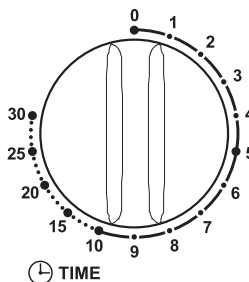
Puissance	Puissance de sortie
100%	Élevée
85%	Moyenne à élevée
66%	Moyenne
48%	Moyenne à basse
40%	Décongélation
17%	Basse

FONCTIONNEMENT

Pour définir un programme de cuisson : placez les aliments dans le four et fermez la porte.



Tournez le bouton de réglage de la puissance pour sélectionner la puissance.



Utilisez la minuterie pour sélectionner le temps de cuisson.

REMARQUE : Dès que la minuterie est réglée, le four se met en marche. Si vous choisissez un temps de cuisson inférieur à 2 minutes, tournez la minuterie 2 minutes supplémentaires puis revenez en arrière pour régler la durée de cuisson correcte.

ATTENTION : Replacez toujours la minuterie en position zéro si vous sortez les aliments du four avant la fin de la durée programmée, ou lorsque vous n'utilisez pas le four. Pour arrêter le four en cour de cuisson, appuyez sur le bouton d'ouverture de la porte et ouvrez la porte.

NETTOYAGE ET ENTRETIEN

1. Éteignez l'appareil et débranchez-le avant de le nettoyer.
2. L'intérieur du four doit rester propre. En cas d'éclaboussures d'aliments, ou si du liquide adhère aux parois du four, essuyez avec un chiffon humide. N'utilisez un détergent doux que si le four est très sale. Il est déconseillé d'utiliser des détergents abrasifs ou des produits nettoyants en spray qui pourraient tâcher, rayer ou ternir la surface de la porte.
3. Essuyez les surfaces extérieures avec un chiffon humide. Pour éviter d'endommager les pièces situées à l'intérieur du four, ne laissez pas de liquide s'infiltrer à l'intérieur des ouvertures d'aération.
4. Essuyez régulièrement les deux côtés de la fenêtre et de la porte du four, les joints de la porte et les pièces adjacentes en utilisant un chiffon humide qui vous permettra de retirer les éclaboussures. N'utilisez pas de nettoyant abrasif.
5. Ne mouillez pas le panneau de commandes. Essuyez avec un chiffon doux et humide. Lorsque vous nettoyez le panneau de commandes, laissez la porte ouverte pour ne pas mettre accidentellement le four en marche.
6. Si de la fumée s'accumule à l'intérieur ou autour du four, essuyez avec un chiffon doux. Ce phénomène peut se produire lorsque le four est utilisé dans un environnement particulièrement humide ; il est tout à fait normal.
7. Il peut parfois être nécessaire de retirer le plateau en verre pour le nettoyer. Lavez le plateau à l'eau tiède savonneuse ou au lave-vaisselle.

FRANÇAIS

8. La couronne de roulement et la paroi inférieure du four doivent être régulièrement nettoyées pour éviter le bruit excessif. Essayez simplement la surface inférieure du four avec un détergent doux. La couronne de roulement peut être lavée à l'eau tiède savonneuse ou au lave-vaisselle. Lorsque vous sortez la couronne de roulement de la cavité du four pour la nettoyer, veillez à la repositionner correctement.
9. Pour éliminer les odeurs qui se dégagent du four, mélangez un verre d'eau avec le jus et la peau d'un citron. Versez ce mélange dans un bol profond puis passez-le 5 minutes au four à micro-ondes. Essayez soigneusement et séchez avec un chiffon doux.
10. Si vous devez remplacer l'ampoule du four, veuillez contacter le revendeur.
11. Nettoyez régulièrement le four et retirez tous les dépôts d'aliments. Si vous n'entretenez pas le four de manière régulière, la surface risque de se détériorer, ce qui peut affecter irréversiblement la durée de vie de l'appareil et constituer éventuellement un risque d'incendie.
12. Lorsque vous souhaitez vous débarrasser de votre appareil, ne le mettez pas au rebut avec les déchets ménagers. Cet appareil doit être apporté dans le centre de déchets approprié de votre municipalité.

GARANTIE

**APOSEZ VOTRE REÇU/PREUVE D'ACHAT À CET EMPLACEMENT.
EN CAS DE RÉCLAMATION COUVERTE PAR LA GARANTIE, LE REÇU /LA PREUVE
D'ACHAT MENTIONNÉS AUPARAVANT DOIVENT ÊTRE JOINTS À CETTE GARANTIE.**

Numéro de modèle	(Numéro de lot:)
Nom du produit	
Date d'achat	
Lieu d'achat	

1. La partie qui vend le produit ("le vendeur") à l'acheteur original de ce produit ("le client") assure que ce produit sera de bonne qualité et, en bon état de fonctionnement et, sans défaut, et adapté à l'usage pour lequel il est prévu, sous des conditions normales d'utilisation domestique, pendant une période d'1 (un) an à partir de la date d'achat du produit (période de garantie).
2. Au cas la période de garantie ne soit pas écoulée et que le produit ne soit plus en bon état ou en état de marche, qu'il soit défectueux ou ne soit plus approprié à son usage prévu dans des conditions normales d'utilisation domestique, le client peut, sous réserve de remplir les conditions du Paragraphe 3 ci-dessous, retourner le produit au revendeur et dispose des possibilités suivantes :
 - 2.1 Durant les 6 (six) premiers mois de garantie: être remboursé à hauteur du prix d'achat ou échanger le produit contre un produit identique ou similaire dont le prix correspond au prix payé.
 - 2.2 Après les 6 (six) premiers mois de garantie: échanger le produit contre un produit identique ou similaire dont le prix correspond au prix payé.
3. Dans les conditions de cette garantie, le produit ne sera ni remplacé, ni remboursé si celui-ci:
 - 3.1 a été modifié contrairement aux instructions fournies dans le manuel du produit;
 - 3.2 a été mal utilisé, maltraité ou altéré;
 - 3.3 est défectueux ou en mauvais état de fonctionnement suite à une usure normale.
 - 3.4 est endommagé suite à une faute grave du client, ou à un comportement insouciant, malintentionné ou délictueux;
 - 3.5 a été employé pour un usage commercial.
4. Cette garantie ne s'applique qu'au produit qui a été acheté au vendeur et non pas à un quelconque accessoire attaché ou installé sur le produit par le client.
5. Toute réclamation liée à cette garantie doit être accompagnée par la preuve originale d'achat.
6. Notez que l'élément d'échange ne portera le solde de la période de garantie à compter de la date d'achat originale.

essentials

— VALUE FOR MONEY



MANUAL DE INSTRUÇÕES MICROONDAS 20L



ART.NO.:10474722(P70B17L-D5)

ITEM NO.:5418051

EAN:6001224190892

APENAS PARA USO INTERIOR

Por favor leia este manual de instruções com cuidado antes da
utilização.

INTRODUÇÃO

Obrigado por adquirir nosso forno de microondas “ESSENTIALS”. Cada unidade foi concebida para garantir que os nossos clientes obtenham a segurança, fiabilidade e facilidade de uso dos nossos produtos. Antes de utilizar, por favor leia cuidadosamente estas instruções e guarde este manual para futura referência.

PRECAUÇÕES PARA EVITAR EXPOSIÇÃO POTENCIALMENTE EXCESSIVA DE ENERGIA DE MICROONDAS

1. Não tente utilizar este forno com a porta aberta uma vez que a utilização com a porta aberta pode resultar em exposição prejudicial a energia de microondas. É importante que não desactive ou altere os interruptores de segurança.
2. Não coloque qualquer objecto entre a parte frontal do forno e a porta nem permita a acumulação de sujidade ou de resíduos de produtos de limpeza em superfícies vedantes.
3. Não utilize o forno se estiver danificado. É particularmente importante que a porta do forno feche devidamente e que não haja danos
 - a. na porta (deformada),
 - b. nas dobradiças e fechos (estragados ou soltos),
 - c. Vedantes da porta e superfícies vedantes.
4. O forno só deverá ser montado ou reparado por pessoas devidamente qualificadas.

ÍNDICE

PRECAUÇÕES PARA EVITAR EXPOSIÇÃO POTENCIALMENTE EXCESSIVA DE ENERGIA DE MICROONDAS.....	1
INSTRUÇÕES DE SEGURANÇA IMPORTANTES.....	2
ESPECIFICAÇÕES.....	3
INSTALAÇÃO.....	3
RÁDIO INTERFERÊNCIA.....	4
PRINCÍPIOS PARA COZINHAR COM MICROONDAS.....	4
INSTRUÇÕES DE TOMADA DE TERRA.....	4
ANTES DE SOLICITAR APOIO TÉCNICO.....	5
GUIA DE UTENSÍLIOS.....	5
COMPONENTES.....	6
PAINEL DE COMANDO.....	6
FUNCIONAMENTO.....	7
LIMPEZA E MANUTENÇÃO.....	7
TERMO DE GARANTIA	9

INSTRUÇÕES DE SEGURANÇA IMPORTANTES

Respeite sempre as precauções básicas de segurança ao utilizar aparelhos eléctricos:

AVISO: Para minimizar o risco de queimaduras, choque eléctrico, incêndio, ferimentos ou exposição excessiva a energia de microondas:

1. Leia atentamente todas as instruções antes de utilizar o aparelho.
2. Utilize este aparelho para a finalidade a que se destina conforme descrito neste manual. Não utilize químicos corrosivos ou gases neste aparelho. Este tipo de forno foi especificamente concebido para aquecer, cozinhar ou secar alimentos. Não foi concebido para uso industrial ou em laboratório.
3. Não utilize o forno se estiver vazio.
4. Não utilize este aparelho se tiver um cabo ou ficha danificados, se não estiver a funcionar devidamente ou se estiver danificado ou tiver caído. Se o cabo de alimentação estiver danificado representa um perigo, pelo que deve ser substituído pelo fabricante, pelo seu agente de serviço ou por pessoal com qualificação similar.
5. **AVISO:** Apenas permita a utilização do forno por crianças sem supervisão, após terem sido dadas as instruções adequadas para que a criança seja capaz de utilizar o forno de forma segura e perceba os riscos da sua utilização indevida.
6. Para reduzir o risco de incêndio dentro do forno:
 - ✦ Ao aquecer comida em recipientes de plástico ou de papel, verifique frequentemente o forno quanto à possibilidade de incêndio.
 - ✦ Retire laços em arame dos sacos de papel ou plástico antes de colocar o saco no forno.
 - ✦ Se vir fumo, desligue ou retire da ficha o aparelho e mantenha a porta fechada de forma a sufocar as chamas.
 - ✦ Não armazene qualquer objecto dentro do forno. Não deixe produtos em papel, utensílios de cozinha ou alimentos dentro do forno quando não estiver a ser utilizado.
7. **AVISO:** Os líquidos ou outros alimentos não podem ser aquecidos em recipientes fechados pois podem explodir.
8. O aquecimento no microondas de bebidas pode resultar numa fervura eruptiva retardada, por isso tenha cuidado ao manusear o recipiente.
9. Não frite alimentos no forno. O óleo quente pode danificar peças do forno e utensílios e ainda causar queimaduras.
10. Os ovos com casca e os ovos cozidos inteiros não devem ser aquecidos no microondas uma vez que podem explodir, mesmo depois do microondas ter parado de aquecer.
11. Perfure os alimentos com peças duras, tais como batatas ou abóboras inteiras, maçãs e castanhas antes de os cozinhar.
12. Os conteúdos dos biberões ou frascos de bebé devem ser mexidos ou agitados e deve-se verificar a temperatura antes de servir de forma a evitar queimaduras.
13. Os utensílios de cozinha podem aquecer devido ao calor transferido da comida aquecida. Poderão ser necessárias pegas para manusear o utensílio.
14. Deverá verificar-se se os utensílios são próprios para o uso em microondas.
15. **AVISO:** É perigoso para qualquer pessoa, que não uma pessoa qualificada, efectuar qualquer serviço ou reparação que envolva a remoção de qualquer tampa que proteja contra a exposição de energia de microondas.
16. Este produto está classificado como um equipamento ISM do Grupo 2 Classe B. Inclui todos os equipamentos ISM (industrial, científico e médico) nos quais a energia de radiofrequência é gerada intencionalmente e/ou utilizada na forma de radiação electromagnética para o tratamento do material e equipamento de electroerosão. O

PORTUGUÊS

equipamento de classe B é um equipamento adequado para o uso doméstico e em instalações conectadas directamente à rede de fornecimento de energia de baixa tensão que fornece os edifícios utilizados para fins domésticos.

- Este aparelho não deve ser utilizado, sem supervisão, por pessoas com limitações físicas, sensoriais e/ou intelectuais, por

pessoas sem qualquer conhecimento prévio ou experiência relativamente ao uso deste aparelho, ou por crianças, excepto se tiverem sido minuciosamente instruídos pelo(s) indivíduo(s) responsável(eis) pelo seu bem-estar.

- As crianças devem ser supervisionadas para garantir que não brincam com o aparelho.

ESPECIFICAÇÕES

Consumo de energia:	220-240V ~50Hz, 1200W(Microondas)
Saída de potência nominal do microondas:	700W
Frequência de funcionamento:	2450MHz
Dimensões externas:	262mm(H)×452mm(W)×330mm(D)
Dimensões da cavidade do forno:	198mm(H)×315mm(W)×294mm(D)
Capacidade do forno:	20 litros
Uniformidade da cozedura:	Sistema giratório:
Peso líquido:	Aprox.10,5kg

INSTALAÇÃO

- Assegure-se que retirou todos os materiais de embalagem do interior da porta.
- AVISO:** Verifique se o forno apresenta danos, tais como uma porta mal alinhada ou deformada, as juntas das portas e superfícies vedantes danificadas, as dobradiças e fechos partidos ou soltos e amolgadelas no interior da cavidade ou na porta. Se detectar algum dano, não coloque o forno em funcionamento e contacte de imediato um serviço técnico qualificado.
- Este forno microondas deve ser colocado numa superfície plana e estável para suportar o seu peso e a quantidade máxima de alimentos que podem ser cozinhados no forno.
- Não coloque o forno onde haja calor ou humidade elevada, nem perto de materiais combustíveis.
- Para um funcionamento correcto, o forno deve ter uma circulação de ar suficiente. Deixe um espaço de 20 cm por cima do forno, 10 cm na parte posterior e 5 cm de ambos os lados. Não cubra ou bloqueie qualquer abertura do aparelho. Não retire os pés.
- Não utilize o forno sem a bandeja de vidro, o suporte giratório e o eixo nas suas posições correctas.
- Assegure-se de que o cabo de alimentação não está danificado e de que não passa por baixo do forno ou sobre uma superfície quente ou afiada.
- A tomada deve ser de fácil acesso, para que possa ser facilmente desligada em caso de emergência.
- Não use o forno no exterior.

RÁDIO INTERFERÊNCIA

A utilização do microondas pode causar interferências no seu rádio, TV ou equipamento semelhante.

Caso exista uma interferência ela pode ser reduzida ou eliminada adoptando as seguintes medidas:

1. Limpe a porta e a superfície vedante do forno.
2. Reorienta a antena de recepção do rádio ou da televisão.
3. Mude o forno microondas de posição em relação ao receptor.
4. Afaste o forno microondas do receptor.
5. Ligue o forno microondas numa tomada diferente, para que este e o receptor estejam em circuitos ramais diferentes.

PRINCÍPIOS PARA COZINHAR COM MICROONDAS

1. Disponha cuidadosamente os alimentos dentro do forno. Coloque as partes mais grossas para o exterior do prato.
2. Controle o tempo de cozedura. Cozinhe durante o período tempo indicado mais curto e depois aumente-o se necessário. A cozedura excessiva dos alimentos pode provocar fumo ou fogo.
3. Cubra os alimentos durante a cozedura. As tampas evitam salpicos e ajudam a que os alimentos cozinhem uniformemente.
4. Vire os alimentos uma vez durante a cozedura no microondas, de forma a cozinhar mais rapidamente alimentos, como, por exemplo, o frango e os hambúrgueres. Os alimentos grandes como os assados devem ser virados pelo menos uma vez.
5. Mude a disposição dos alimentos, como, por exemplo, as almôndegas a meio da cozedura quer de cima para baixo como do centro do prato para fora.

INSTRUÇÕES DE TOMADA DE TERRA

Este aparelho deve ter uma ligação de terra. Este forno está equipado com um cabo que tem um condutor de tomada de terra com uma ficha de tomada de terra. Deverá estar ligado numa tomada devidamente instalada e ligada à terra. No caso de curto circuito eléctrico, a tomada de terra reduz o risco de choque eléctrico fornecendo um condutor de escape para a corrente eléctrica. Recomenda-se o uso de um circuito independente só para o forno. A utilização de alta tensão é perigosa e pode provocar um incêndio ou outro acidente causando danos no forno.

AVISE O uso incorrecto da ligação de terra pode
Azul = NEUTRO

aumentar drasticamente o risco de choque eléctrico.

Nota:

1. Se tem dúvidas sobre a ligação de terra ou instruções eléctricas, fale com um electricista ou técnico especializados.
2. Nem o fabricante, nem o distribuidor aceitam qualquer responsabilidade por danos no forno ou danos pessoais resultantes da não observação dos procedimentos de ligação eléctrica.

O sistema de ligação tem cores diferentes de acordo com o seguinte código:

Verde e Amarelo = TOMADA DE TERRA
Castanho = TENSÃO

ANTES DE SOLICITAR APOIO TÉCNICO

Se o forno não funciona:

1. Verifique se o forno está correctamente ligado à tomada. Se for o caso, retire a ficha da tomada, aguarde 10 segundos e volte a ligar em segurança.
2. Procure um fusível queimado ou um disjuntor disparado. Se estiver tudo correcto, teste a tomada com outro aparelho.
3. Certifique-se que o painel de comando está correctamente programado e o temporizador regulado.
4. Certifique-se que a porta está correctamente fechada accionando o sistema de segurança da porta. Caso contrário, a energia de microondas não fluirá para dentro do forno.

SE NENHUMA DAS MEDIDAS ACIMA MENCIONADAS RECTIFICAREM A SITUAÇÃO, ENTÃO CONTACTE UM TÉCNICO QUALIFICADO. NÃO TENTE REGULAR OU REPARAR O FORNO.

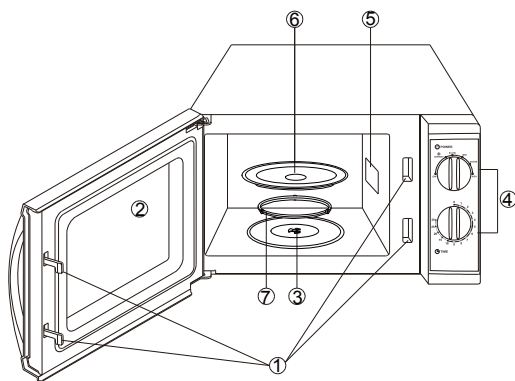
GUIA DE UTENSÍLIOS

1. As taças ideais para microondas são as transparentes, pois permitem que a energia passe através do recipiente e aqueça os alimentos.
2. As microondas não conseguem penetrar o metal, pelo que não devem ser utilizados utensílios metálicos ou pratos com borda metálica.
3. Não utilize produtos de papel reciclado para cozinhar no microondas, já que podem conter pequenos fragmentos metálicos que podem causar faíscas e/ou incêndios.
4. Recomenda-se a utilização de pratos redondos/ ovais em vez de quadrados/ compridos, uma vez que os alimentos nas bordas tendem a cozinhar demais.
5. Pode utilizar-se tiras estreitas de papel de alumínio de forma a evitar a cozedura excessiva das zonas expostas. Mas tenha atenção para não utilizar demasiado e manter uma distância de 1 polegada (2,54 cm) entre o papel e a cavidade.

A lista abaixo é um guia geral para ajudá-lo a escolher os utensílios correctos.

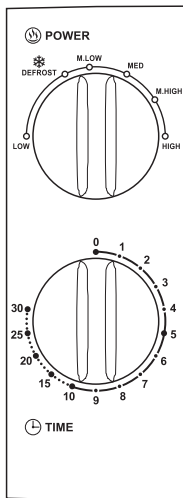
UTENSÍLIOS DE COZINHA	MICROONDAS
Vidro resistente ao calor	Sim
Vidro não resistente ao calor	Não
Porcelana resistente ao calor	Sim
Pratos de plástico próprios para microondas	Sim
Papel de cozinha	Sim
Tabuleiro metálico	Não
Grelha metálica	Não
Papel de alumínio e recipientes de alumínio	Não

COMPONENTES



1. Sistema de fecho de segurança da porta
2. Janela do forno
3. Eixo
4. Painel de comando
5. Guia de ondas
6. Tabuleiro de vidro
7. Anel giratório

PAINEL DE COMANDO

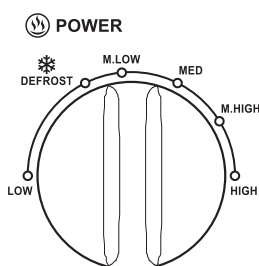


- ① Temporizador (0-30 minutos)
- ② Controlo de potência

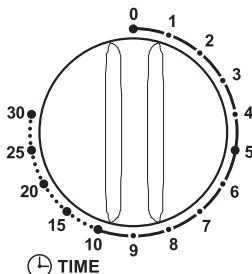
Potência	Potência de saída
100%	Alta
85%	Média alta
66%	Média
48%	Média baixa
40%	Descongelação
17%	Baixa

FUNCIONAMENTO

Para definir um programa para cozinhar: Coloque a comida dentro do forno e feche a porta.



Rode o controle de potência para seleccionar o nível de potência desejado.



Use o temporizador para seleccionar o tempo de cozedura desejado.

NOTA: Assim que rodar o temporizador o forno irá começar a cozinhar. Quando seleccionar o tempo para menos de 2 minutos, rode o temporizador para depois dos 2 minutos e depois recue ao tempo correcto.

ATENÇÃO: Volte a colocar o temporizador na posição zero sempre que retirar a comida do forno antes do fim do tempo de cozedura definido ou quando o forno não estiver a ser utilizado. Para parar o forno durante o processo de cozedura carregue no botão de abertura da porta e abra a porta.

LIMPEZA E MANUTENÇÃO

1. Antes de limpar o forno desligue-o e desligue-o da tomada.
2. Mantenha o interior do forno limpo. Em caso de salpicos ou líquidos vertidos colados nas paredes do forno, limpe-os com um pano húmido. Se o forno estiver muito sujo pode utilizar um detergente suave. Evite a utilização de sprays e outros produtos de limpeza agressivos, uma vez que podem manchar, riscar ou deixar sem brilho a superfície da porta.
3. As superfícies externas devem ser limpas com um pano húmido. Para prevenir danos nas peças no interior do forno, não deverá ser permitida a infiltração de água nas aberturas de ventilação.
4. Limpe a porta e a janela em ambos os lados, os vedantes das portas e peças adjacentes com frequência utilizando um pano húmido para eliminar salpicos ou líquidos derramados. Não utilize produtos de limpeza abrasivos.
5. Não permita que o painel de comando se molhe. Limpe com um pano suave e húmido. Ao limpar o painel de comando, deixe a porta do forno aberta para evitar que comece a funcionar acidentalmente.
6. Caso se acumule vapor no interior ou à volta do exterior da porta do forno, limpe com um pano suave. Tal pode acontecer se o forno microondas estiver a funcionar em ambientes de humidade elevada. É perfeitamente normal.
7. Por vezes é necessário retirar a bandeja de vidro para limpar. Lave a bandeja em água quente com sabão ou na máquina de lavar a louça.
8. O aro giratório e a base do forno devem

ser limpos regularmente para evitar ruído excessivo. Limpe apenas a superfície do fundo do forno com detergente suave. O aro giratório pode ser lavado com água morna com sabão ou na máquina de lavar louça. Ao retirar o aro giratório da base da cavidade para limpar, assegure-se de que o volta a colocar na posição correcta.

9. Elimine os odores do seu forno colocando uma chávena de água com sumo e casca de um limão num recipiente fundo no microondas durante 5 minutos. Limpe a fundo e seque com um pano suave.
10. Quando for necessário substituir a luz do forno, contacte o seu distribuidor para que

a lâmpada seja substituída.

11. O forno deve ser limpo regularmente e eliminados quaisquer restos de comida. O incumprimento de manter o forno limpo pode resultar na deterioração da superfície, o que pode afectar negativamente a vida útil do aparelho, assim como criar uma situação de perigo de incêndio.
12. Por favor, não coloque este aparelho juntamente com o lixo normal. Este aparelho deverá ser levado para um centro de eliminação de resíduos apropriado na sua localidade.

TERMO DE GARANTIA

**FAVOR ANEXAR AQUI SEU RECIBO/FISCAL DE COMPRA.
EM CASO DE RECLAMAÇÃO DURANTE O PRAZO DA GARANTIA ESTE RECIBO/
FISCAL DE COMPRA DEVE SER APRESENTADO JUNTAMENTE COM ESTA GARANTIA.**

Número do modelo	(Número do lote:)
Nome do produto	
Data da compra	
Local da compra	

1. A parte vendedora do produto (“vendedor”) ao comprador original deste produto (“comprador”) garante por meio deste que o produto é de boa qualidade e, está em perfeitas condições de funcionamento e, sem defeitos e adequado para uso doméstico normal por um período de 1 (um) ano a partir da data da compra (“período da garantia”) deste produto.
2. No caso em que o período de garantia não expirou e o produto não é de boa qualidade, ou em bom estado de funcionamento ou, está com defeito ou não é adequado para a sua finalidade em uso doméstico normal, o cliente pode, de acordo com o Paragrafo 3º abaixo, devolver o produto ao vendedor e ter as seguintes opções disponíveis:
 - 2.1 Nos primeiros 6 (seis) meses da garantia: para receber um reembolso do preço efetivamente pago ou a troca do produto para o mesmo produto ou similar do mesmo valor adquirido;
 - 2.2 Dentro dos segundos 6 (seis) meses da garantia: ter o produto trocado para o mesmo produto ou similar do mesmo valor comprado.
3. O vendedor não irá substituir o produto ou reembolsar o comprador de acordo com os termos desta garantia se o produto:
 - 3.1 for modificado contrariando as instruções fornecidas no manual do produto;
 - 3.2 sofrer uso inadequado, abuso ou modificação;
 - 3.3 for defeituoso ou não em condições de funcionamento devido ao desgaste natural
 - 3.4 for danificado devido a negligência, imprudência, comportamento malicioso ou criminoso por parte do comprador.
 - 3.5 for utilizado para fins comerciais.
4. Esta garantia aplica-se somente ao produto adquirido do vendedor, não cobrindo quaisquer itens agregados ou instalados no produto pelo comprador.
5. Qualquer reclamação nos termos desta garantia deve ser acompanhada da prova original de compra.
6. Observe que o item de câmbio só irá transportar o saldo do período de garantia a partir da data de compra original.

