



INSTRUCTION MANUAL

STEAM IRON



Article no.	Model no. / Item no.	EAN
10516871	EI8899 (SR 7483565)	6001224293692
10531902	EI8899 (SR 7737747)	6001224342192
10531904	EI8899 (SR 7737785)	6001224342185

INDOOR HOUSEHOLD USE ONLY

Please save and read this instruction manual carefully before use.

INTRODUCTION


Thank you for purchasing our “Platinum” Steam Iron. Each unit has been manufactured to ensure safety, reliability, and easy of use. Before use, please read these instructions carefully and keep them for future reference.

IMPORTANT SAFEGUARDS

When using your “Platinum” Steam Iron basic safety precautions should always be followed, including the following:

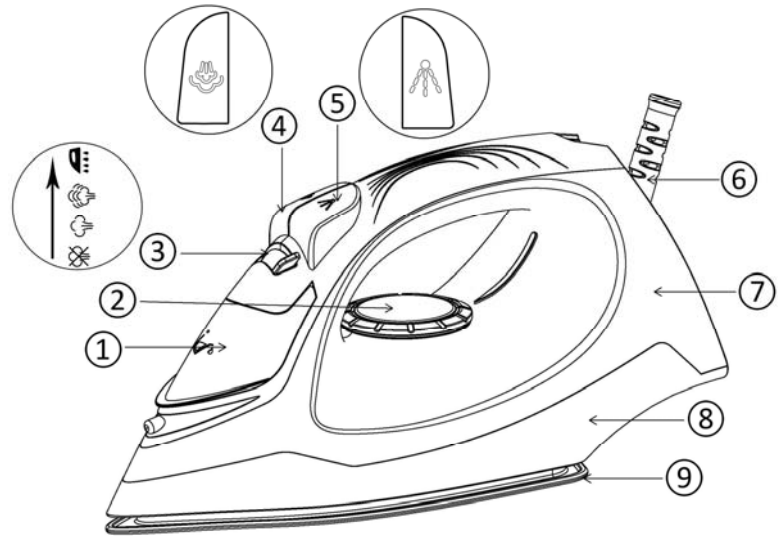
- If the supply cord is damaged, it must be replaced by the manufacturer, its service agent or similarly qualified persons in order to avoid hazard.
- This appliance is not intended for use by persons (including children) with reduced physical, sensory or mental capabilities, or lack of experience and knowledge concerning the use of this product, unless they are supervised or have been given instruction concerning use of the appliance by a person responsible for their safety.
- Children should be supervised to ensure that they do not play with the appliance.
- Close supervision is required when any appliance is used near children or invalids.
- This product is not for people who have sense or visual disabilities and lack of experience and knowledge (including children) to use.
- Always ensure that the voltage on the rating label corresponds to the voltage in your home.
- Check the power cord and plug regularly for any damage. If the cord or the plug is damaged, it must be replaced by the manufacturer or a qualified person in order to avoid an electrical hazard.
- This appliance is intended for household use only. Industrial or commercial use will void the warranty, and the supplier can not be held responsible for injury or damage caused when using the appliance for any other purpose than that intended.
- Incorrect operation and improper use can damage the appliance and cause injury to the user.
- Do not use the appliance if it has been dropped or damaged in any way. In case of damage, take the unit in for examination and/or repair by an authorized service agent.
- To reduce the risk of electric shock, do not immerse or expose the motor assembly, plug or the power cord to water or any other liquid.
- Never immerse the unit in water or any other liquid for cleaning purposes.
- Remove the plug from the socket by gripping the plug. Do not pull on the cord to disconnect the appliance. Always unplug the unit when not in use or before cleaning.
- The use of accessory attachments that are not recommended or supplied by the manufacturer may result in injuries, fire or electric shock.
- Do not let the cord hang over the edge of a table or counter. Ensure that the cord is not in a position where it can be pulled on inadvertently.
- Do not allow the cord to touch hot surfaces and do not place on or near a hot gas or electric burner or in a heated oven. Please keep it in a cool and dry place away from direct sunshine.

ENGLISH

- Never use this unit near bathtubs, showers, basins or other vessels containing water.
- Use of an extension cord with this appliance is not recommended. However, if it is necessary to use an extension lead, ensure that the lead is suited to the power consumption of the appliance to avoid overheating of the extension cord, appliance or plug point. Do not place the extension cord in a position where it can be pulled on by children or animals or tripped over.
- This appliance is not suitable for outdoor use. Do not use this appliance for anything other than its intended use.
- Do not leave this appliance unattended during use. Always unplug the unit when not in use. Allow it to cool before cleaning the appliance.
- Iron only on an ironing board.
- Always operate the appliance on a smooth, even and stable surface. Do not place the unit on a hot surface.
- The manufacturer does not accept responsibility for any damage or injury caused by the improper or incorrect use of the appliance, or by repairs carried out by unauthorized personnel.
- In case of technical problems, switch off the machine and do not attempt to repair it yourself. Return the appliance to an authorized service facility for examination, adjustment or repair. Always insist on the use of original spare parts. Failure to comply with the above mentioned precautions and instructions, could affect the safe operation of this machine.
- Never pull the cord while disconnecting from the power outlet; instead, grasp the plug only and pull to disconnect.
- Do not allow the cord to touch sharp edges and hot surfaces.
- When you have finished ironing or when you are leaving the iron unattended:
 - a. Turn the steam control knob to “” position and turn the Temperature Control to “OFF”.
 - b. Stand the iron upright.
 - c. Disconnect the iron from the wall outlet.
- Do not touch hot metal parts, hot water or steam. These parts become hot and may cause burns. Take care if you turn the iron upside down. There may be hot water in the tank.
- The plug and cord should not be allowed to touch the hot soleplate. Allow the iron to cool before taking it away.
- The plug must be removed from the socket-outlet before the water reservoir filled with water.
- The filling aperture must not be opened during use. Instructions for the safe refilling of the water reservoir shall be given.
- The iron must be used and rested on a stable surface.
- When placing the iron on its stand, ensure that the surface on which the stand is placed is stable.
- The iron is not to be used if it has been dropped, if there are visible signs of damage or if it is leaking.
- **CAUTION:** To avoid circuit overload, do not operate another high wattage appliance on the same circuit.

KNOW YOUR STEAM IRON

1. Water inlet cover
2. Temperature control dial
3. Steam control & Self-clean knob
4. Burst steam button
5. Spray button
6. Power cord protector
7. Water tank
8. Heating skirt
9. Soleplate



SPECIFICATION

Capacity : 250 ml (water tank only)
 Voltage : AC 220V-240V / 50Hz
 Wattage : 1800W - 2200W

Plug	Article no.	Model no. / Item no.	EAN
3R 16A South Africa Plug	10516871	EI8899 (SR 7483565)	6001224293692
3 Flat Pin	10531902	EI8899 (SR 7737747)	6001224342192
Schuko	10531904	EI8899 (SR 7737785)	6001224342185

FUNCTION

1. Steam Ironing.
2. Temperature regulating, Water Spraying, Dry ironing, Variable steam, Bursting steam.
3. Anti-drip, Anti-calc. and Self-cleaning.

Caution:



This symbol means that surface could get hot during the use.

HINTS BEFORE FIRST USE

1. Some parts of the Iron have been slightly greased and as a result, the iron may smoke slightly when switched on for the first time. It will not happen again after a few uses.
2. Remove protective wrappings and labels from the soleplate and clean it with a soft, damp cloth.
3. When using the iron for the first time, test it on an old piece of fabric to ensure that the soleplate and water tank are completely clean.
4. Wait for about three minutes before ironing heat sensitive fabrics. Temperature adjustment need a certain time to reach the required level - no matter if it is higher or lower.

ENGLISH

5. Delicate fabrics such as silk, wool, velour, etc. are best ironed with an ironing cloth to prevent shine marks.
6. Turn the temperature control to the desired setting by aligning the setting on the dial with the temperature indicator. The indicator light will turn on to indicate that the iron is heating to the selected temperature. When the indicator light goes out the iron is at the selected temperature and is ready for use.

SETTING THE TEMPERATURE

1. Always check garment label for ironing instructions before ironing garment.
2. If the ironing instructions are missing, then the table below may help you.
3. First you should sort the laundry: Wool with wool, Cotton with cotton etc. Start ironing the fabrics requiring the lowest temperature and progress to the higher ones because the iron heats up quicker than it cools down.
4. If the fabric consists of various kinds of fibers (e.g. cotton with polyester) you must always select the ironing temperature for the material with the lowest recommended temperature.
5. Pure wool fabric (100% wool) can be ironed with the appliance in the steam position by preference, select a high steam position and use a dry ironing cloth.
6. Turn the temperature control to the desired temperature setting.
7. The desired temperature has been reached when the indicator light has turned off. The indicator light will turn on and off from time to time, indicating that the selected temperature is being maintained.

LABEL	KIND OF TEXTILE
	Do not Iron this article
	Synthetic (Nylon, Acrylic, Rayon, Polyester)
	Wool, Silk
	Cotton, Linen

FILLING THE WATER TANK

1. Before filling water, please pull out the plug first.
2. Turn the steam control knob to "☄" position.
3. Open the filling cap, pour tap water from filling jug through the water inlet hole into the tank.
**Do not fill the tank beyond the "MAX" indication.
4. If the water in your area is particularly hard, it is advisable to use distilled or demineralized water.
5. Do not use vinegar, starch or chemically descaled water.
6. Press to close the filling cap.

DRY IRONING

1. Plug into the power supply.
2. Turn the steam control knob to "☒" position.
3. Turn the temperature control in a clockwise direction; select ● (1 dot), ●● (2 dots) or ●●● (3 dots) according to the recommendation of the garment label.
4. Indicator light will light up, then put the iron on a smooth and stable surface vertically.
5. When the required temperature is reached; indicator light goes off. The iron is ready for use.

SPRAY FUNCTION

1. This function can be used any time and it does not affect the ironing temperature.
2. Make sure there is enough water in the water tank.
3. Aim the nozzle toward the garment.
4. Press the spray button a couple of times to moisten the garment.

STEAM FUNCTION

1. Make sure there is enough water in the water tank.
2. Plug into the power supply.
3. Turn the temperature control in a clockwise direction to "●●●"(3 dots) or "●●"(2 dots) setting. (Do not use 1 dot setting for steam ironing). Indicator light will light up indicating the iron is switched on.
4. After the indicator light switches off, which indicate that the selected temperature has been reached.
5. Turn the steam control knob to the required position. Steam will be sprayed and you can start ironing.
6. During breaks in ironing, stand the iron upright.
7. When you are finished ironing, pull out the plug from the power supply and allow to cool. Turn the iron upside down and allow the water to drain out.

CAUTION: Avoid coming in contact with ejected steam.

BURSTS OF STEAM FUNCTION

1. This function provides an extra amount of steam to remove stubborn wrinkles.
2. Fill the water tank with water.
3. Plug into the power supply.
4. Set the temperature control at the "●●●"(3 dots) position, otherwise, water may leak from the soleplate if the temperature is low. Indicator light will illuminate to indicate that the iron is switched on.
5. Indicator light switches off when the required temperature is reached.
6. Press the Bursts of Steam button once.
7. It may be necessary to press the Bursts of Steam button a few times to start function.
8. Steam will penetrate into the garment removing the wrinkles.
9. Wait for a few seconds before pressing the Bursts of Steam button again when there are stubborn wrinkles.
10. For optimum steam quality, do not use the Bursts of Steam more than three times after the indicator light goes off.

ENGLISH

NOTE: To prevent water leakage from the soleplate, do not keep the powerful steam button pressed for more than 5 seconds.

ANTI-CALC.

The Anti-calc. function filtrate the minerals from the water to prevent mineral residue build up at the steam chamber.



ANTI-DRIP

The iron automatically stops steaming when the temperature is too low to prevent water from dripping out of the soleplate.

WHEN YOU FINISHED IRONING

- a. Set the temperature dial to the OFF position.
- b. Remove the main plug from the wall socket.
- c. Stand the iron on heel rest.

SELF-CLEANING FUNCTION

1. This function removes the scales and minerals built up in the Steam Chamber. The iron will remain in the best condition if this function is performed at least once a month or more regularly depending on the hardness of the water used.
2. Fill the water tank up to half and stand the iron upright.
Caution: Keep skin/body away from the hot surfaces.
3. Plug into the power supply.
4. Set the temperature control at the “●●●”(3 dots) position. Indicator light will light up indicating the iron is switched on.
5. Indicator light switches off when the required temperature is reached.
6. Hold the iron horizontally over a sink.
7. Push the steam control knob to the self-clean “” position and hold on it until boiling water, steam, impurities come out from the holes of soleplate.
8. Disconnect the iron from the electric outlet.
9. When self-cleaning is completed, switch the steam control to “” position and turn the temperature control to “OFF” position. Turn the Iron upside down and allow water to drain out.

CARE AND CLEANING

1. Turn the temperature control to “OFF”, then disconnect the iron from the wall outlet and let it cool down completely.
2. Deposits and other residues on the soleplate can be removed with a cloth soaked in a diluted vinegar/water solution.
3. To clean the exterior of your iron, wipe with a damp soft cloth and wipe dry.
4. Do not use scouring pads, abrasives or harsh cleaners to clean the soleplate.
5. Keep the soleplate smooth, do not iron over sharp objects such as buttons, studs, and zippers.

STORAGE

1. Switch the steam control to "☒" position and turn the temperature control to "OFF" position.
2. Disconnect the iron from the wall outlet.
3. Hold the iron upside down and gently shake it to remove the water remaining in the water tank.
4. Stand the iron upright and let it cool down completely.
5. Always store the iron on its heel rest.
6. Do not store the iron with the soleplate facing down, or in the carton.

WARRANTY

**PLEASE AFFIX YOUR RECEIPT/PROOF OF PURCHASE HERE.
IN THE EVENT OF A CLAIM UNDER THIS WARRANTY THE AFORESAID RECEIPT/PROOF OF
PURCHASE MUST BE PRODUCED TOGETHER WITH THIS WARRANTY.**

Model number	(Lot number :)
Product name	
Date of purchase	
Place of purchase	

1. The party selling the product (“the seller”) to the original purchaser of this product (“the customer”) hereby warrants that this product will be of good quality and, in good working order and, free of defects and suitable for its intended purpose under normal household use, for a period of 1 (one) year from the date of purchase (“warranty period”) of this product.
2. In the event that the warranty period has not lapsed and the product is not of a good quality, or in good working order or, is defective or is not suitable for its intended purpose under normal household use, the customer may, subject to paragraph 3 below, return the product to the seller and have the following options available:
 - 2.1 Within the first 6 (six) months of the warranty: to receive a refund of the actual price paid or to exchange the product for the same or similar product of the same purchased value;
 - 2.2 Within the second 6 (six) months of the warranty: to have the product exchanged for the same or similar product of the same purchased value.
3. The seller will not replace the product or refund the customer in terms of this warranty if the product:
 - 3.1 has been altered contrary to the instructions provided in the product manual;
 - 3.2 has been misused, abused or tampered with;
 - 3.3 is defective or not in working order due to ordinary wear and tear;
 - 3.4 is damaged resulting from the customer’s gross negligence, recklessness, malicious behavior or criminal conduct;
 - 3.5 has been utilized for commercial use.
4. This warranty applies only to the product that has been purchased from the seller and not to any expendables attached to or installed on the product by the customer.
5. Any claim in terms of this warranty must be supported by the original proof of purchase.
6. Note that the exchange item will only carry the balance of the warranty period as from the original date of purchase.


INTRODUÇÃO

Obrigado por comprar o nosso Ferro a Vapor "Platinum". Cada unidade foi fabricada para assegurar uma utilização segura, confiável e simples. Antes de utilizar, leia atentamente estas instruções e guarde-as para futura referência.

INSTRUÇÕES IMPORTANTES

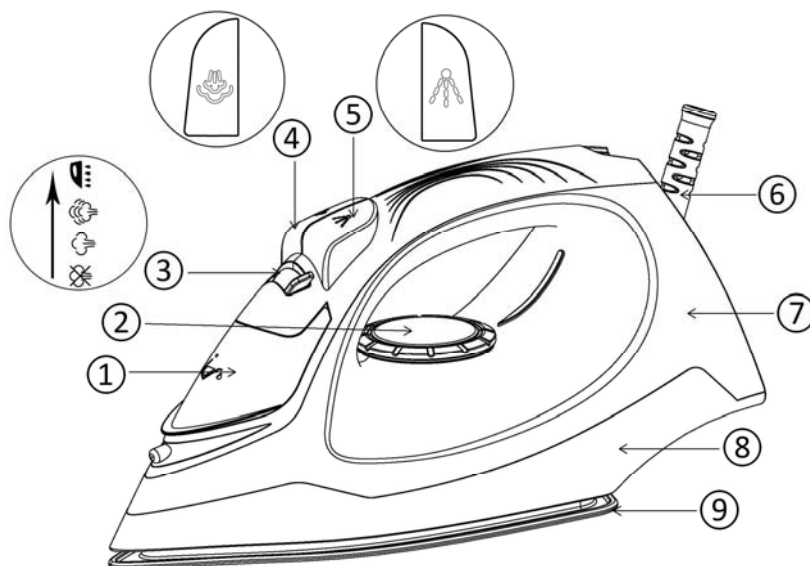
Quando utilizar o seu Ferro a Vapor "Platinum", as precauções de segurança básicas devem ser sempre seguidas, incluindo:

- Se o cabo de alimentação estiver danificado, ele deve ser substituído pelo fabricante, seu agente de serviço ou pessoas com qualificações semelhantes, a fim de evitar riscos.
- Este aparelho não é recomendado para utilização por pessoas (incluindo crianças) com capacidades físicas, sensoriais ou mentais reduzidas, ou falta de experiência e conhecimento sobre a utilização deste produto, a menos que tenham supervisão ou tenham sido instruídas sobre a utilização do aparelho pela pessoa responsável pela sua segurança.
- As crianças devem ser supervisionadas para assegurar que não brincam com o aparelho.
- É necessária supervisão quando qualquer aparelho for utilizado perto de crianças ou inválidos.
- Este produto não é recomendado para pessoas que tenham deficiências sensoriais ou visuais e falta de experiência e conhecimento (incluindo crianças) sobre a utilização.
- Assegure-se sempre que a voltagem na etiqueta de classificação corresponde à voltagem de sua casa.
- Procure por danos no cabo de alimentação e na ficha regularmente. Se o cabo de alimentação ou ficha estiverem danificados, devem ser substituídos pelo fabricante ou pessoa qualificadas para evitar perigo eléctrico.
- Este aparelho serve unicamente para utilização doméstica. A utilização industrial ou comercial anula a garantia, e o fornecedor não será responsável por ferimentos ou danos causados quando utilizar o aparelho para qualquer utilização para além da pretendida.
- A operação e utilização incorrectas podem danificar o aparelho e causar ferimentos ao utilizador.
- Não utilize o aparelho se tiver caído ao chão ou se estiver danificado de qualquer forma. Em caso de danos, leve a unidade para examinação e/ou reparação por um agente de assistência autorizado.
- Para reduzir o risco de choque eléctrico, não mergulhe ou exponha a montagem do motor, ficha ou cabo de alimentação à água ou qualquer outro líquido.
- Nunca mergulhe a unidade na água ou qualquer outro líquido durante a limpeza.
- Agarre na ficha para a desligar da tomada. Não puxe o cabo para desligar o aparelho. Desligue sempre a ficha da máquina quando não estiver em utilização ou antes de limpar.
- A utilização de anexos acessórios que não foram recomendados ou fornecidos pelo fabricante pode resultar em ferimentos, incêndio ou choque eléctrico.
- Não deixe o cabo de alimentação pendurado nas beiras de uma mesa ou balcão. Assegure-se que o cabo de alimentação não está numa posição na qual pode ser puxado inadvertidamente.
- Não permita que o cabo de alimentação toque em superfícies quentes e não coloque em cima ou perto de gás quente, fogão eléctrico ou forno aquecido. Mantenha num local fresco e seco longe da luz directa do sol.

- Nunca utilize esta unidade perto de banheiras, chuveiros, bacias ou outros recipientes que contenham água.
- Não recomendamos que utilize um cabo de extensão com este aparelho. No entanto, se for necessário utilizar uma extensão, assegure-se que se adequa ao consumo de energia do aparelho para evitar o sobreaquecimento do cabo de extensão, aparelho e ficha. Não coloque o cabo de extensão numa posição onde possa ser puxado por crianças ou animais ou passado por cima.
- Este aparelho não se adequa à utilização no exterior. Não utilize este aparelho para outras operações para além do pretendido.
- Não deixe este aparelho sem supervisão durante a utilização. Desligue sempre a unidade quando não estiver em utilização. Deixe arrefecer antes de limpar o aparelho.
- Utilize unicamente com uma tábua de passar a ferro.
- Utilize sempre o aparelho numa superfície horizontal e estável. Não coloque a unidade em superfícies quentes.
- O fabricante não se responsabiliza por quaisquer danos ou ferimentos causados pela utilização imprópria ou incorrecta do aparelho, ou por reparações realizadas por pessoal não autorizado.
- No caso de problemas técnicos, desligue a máquina e não tente reparar por si. Devolva o aparelho a uma instalação de assistência autorizada para examinação, ajuste ou reparação. Insista sempre na utilização de peças de substituição originais. O incumprimento das precauções e instruções acima mencionadas podem afectar a operação segura desta máquina.
- Nunca puxe pelo cabo para desligar da tomada; agarre pela ficha para desligar.
- Não permita que o cabo toque em beiras afiadas e superfícies quentes.
- Quando terminar de passar ou quando não estiver a olhar para o ferro:
 - a. Gire o botão de controlo de vapor para a posição “” e gire o Controlo de Temperatura para “OFF”.
 - b. Coloque o ferro na vertical.
 - c. Desligue o cabo de alimentação da tomada de parede.
- Não toque nas partes de metal quentes, água quente ou vapor. Estas partes podem ficar muito quentes e causar queimaduras. Tenha cuidado se virar o ferro ao contrário. Pode existir água quente no tanque.
- A ficha e o cabo não devem entrar em contacto com a base do ferro quente. Deixe o ferro arrefecer antes de o mover.
- A ficha deve ser retirada da tomada antes de encher o reservatório com água.
- A abertura de enchimento não deve ser aberta durante a utilização. Devem ser dadas instruções sobre como encher o reservatório de água de forma segura.
- O ferro deve ser utilizado e pousado em superfícies estáveis.
- Quando colocar o ferro no suporte, assegure-se que a superfície onde é colocado está estável.
- O ferro não deve ser utilizado se tiver sido deixado cair, se existirem sinais visíveis de danos ou se estiver a vaziar.
- **CUIDADO:** Para evitar sobrecargas, não opere com outro aparelho de alta voltagem no mesmo circuito.

CONHEÇA SEU FERRO A VAPOR

1. Tampa de entrada de água
2. Seletor de controle de temperatura
3. Botão de Controle de vapor & Auto-limpo
4. Botão de explosão de vapor
5. Botão de pulverizador
6. Protetor de cabo de alimentação
7. Tanque de água
8. Saia de aquecimento
9. Base

**ESPECIFICAÇÃO**

Capacidade : 250 ml (só tanque de água)
 Voltagem : AC 220V-240V / 50Hz
 Potência : 1800W - 2200W

Plugue	Artigo no.	Modelo no. / Item no.	EAN
Plugue de África do Sul 3R 16A	10516871	EI8899 (SR 7483565)	6001224293692
3 Pino Plano	10531902	EI8899 (SR 7737747)	6001224342192
Schuko	10531904	EI8899 (SR 7737785)	6001224342185

FUNÇÃO

1. Passar a Ferro com Vapor.
2. Regulação de temperatura, Spray de Água, Passar a seco, Vapor variável, Vapor forte.
3. Anti-Gotas, Anti-Calcário e Auto-Limpeza.

Cuidado:

Este símbolo indica que a superfície pode ficar quente durante a utilização.

DICAS ANTES DA PRIMEIRA UTILIZAÇÃO


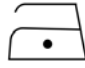


1. Algumas partes do Ferro foram ligeiramente oleadas e como resultado, o ferro poderá emitir algum fumo quando ligar pela primeira vez. Não voltará a acontecer depois de utilizar algumas vezes.
2. Retire as embalagens protectoras e etiquetas da base e limpe-a com um pano suave e húmido.
3. Quando utilizar o ferro pela primeira vez, teste-o numa peça de tecido antiga para assegurar que a base e o tanque de água estão completamente limpos.
4. Aguarde durante três minutos antes de passar tecidos sensíveis ao calor. O ajuste de temperatura necessita algum tempo para alcançar o nível necessário - independentemente se mais alto ou mais baixo.

PORTUGUÊS

- Os tecidos delicados, como seda, lã, veludo, etc, devem ser passados com um pano de passar a ferro por cima para evitar marcas.
- Gire o controlo de temperatura para a definição desejada alinhando a definição do marcador com o indicador de temperatura. A luz indicadora liga-se para indicar que o ferro está a aquecer para a temperatura seleccionada. Quando a luz indicadora se desligar, o ferro fica na temperatura seleccionada e está pronto a utilizar.

DEFINIÇÃO DA TEMPERATURA

- Leia sempre as instruções de passar a ferro na etiqueta da roupa antes de passar.
- Se não tiver instruções de passar a ferro, a tabela abaixo pode ajudá-lo.
- Organize a roupa: Lã com lã, algodão com algodão, etc. Comece a passar os tecidos que necessitam de temperaturas mais baixas e continue para as mais altas uma vez que o ferro aquece mais rápido do que arrefece.
- Se o tecido consistir em vários tipos de fibras (por ex. algodão com poliéster), deve seleccionar a temperatura para o material com a temperatura recomendada mais baixa.
- Os tecidos de lã pura (100% lã) podem ser passados a ferro com o aparelho na posição de vapor que preferir; seleccione uma posição de vapor alta e utilize um pano de passar a ferro seco.
- Gire o controlo de temperatura para a definição de temperatura desejada.
- A temperatura desejada foi alcançada quando a luz indicadora se desligar. A luz indicadora liga-se e desliga-se de vez em quando, indicando que a temperatura seleccionada está a ser mantida.

ETIQUETA	TIPO DE TECIDO
	Não passe este artigo a ferro
	Sintético (Nylon, Acrílico, Raiom, Poliéster)
	Lã, Seda
	Algodão, Linho

ENCHIMENTO DO TANQUE DE ÁGUA

- Antes de encher com água, desligue o cabo da tomada.
- Gire o botão de controlo de vapor para a posição "☒".
- Abra a tampa, deite água da torneira do jarro de enchimento através do buraco de entrada de água para o tanque.
**Não ultrapasse a indicação "MAX" do tanque.
- Se a água da sua área é particularmente suja, recomendamos que utilize água destilada ou desmineralizada.
- Não utilize água com vinagre, amido ou quimicamente descalcificada.
- Pressione para fechar a tampa de enchimento.

PASSAR A SECO

1. Ligue à tomada.
2. Gire o botão de controlo de vapor para a posição "☁".
3. Gire o controlo de temperatura para a direita; seleccione ● (1 ponto), ●● (2 pontos) ou ●●● (3 pontos) de acordo com a recomendação da etiqueta da roupa.
4. A luz indicadora liga-se; coloque o ferro na vertical numa superfície suave e estável.
5. Quando a temperatura necessária for alcançada, a luz indicadora desliga-se. O ferro está pronto a ser utilizado.

FUNÇÃO DE SPRAY

1. Esta função pode ser utilizada a qualquer altura e não afecta a temperatura do ferro.
2. Certifique-se que existe água suficiente no tanque.
3. Aponte o bocal para a roupa.
4. Pressione o botão de spray algumas vezes para humedecer a roupa.

FUNÇÃO DE VAPOR

1. Certifique-se que existe água suficiente no tanque.
2. Ligue à tomada.
3. Gire o controlo de temperatura para a direita para a definição de "●●●" (3 pontos) ou "●●" (2 pontos). (Não utilize a definição de 1 ponto para passar a vapor). A luz indicadora liga-se indicando que o ferro está ligado.
4. Após a luz indicadora se desligar, indica que a temperatura seleccionada foi alcançada.
5. Gire o botão de controlo de vapor para a posição necessária. Vai sair algum vapor e pode começar a passar.
6. Durante as pausas, coloque o ferro na vertical.
7. Quando terminar de passar, desligue a ficha da tomada e deixe arrefecer. Vire o ferro ao contrário e deixe a água toda sair.

CAUIDADO: Evite entrar em contacto com o vapor que sair.

FUNÇÃO DE VAPOR FORTE

1. Esta função oferece uma quantidade extra de vapor para remover vincos mais difíceis.
2. Encha o tanque com água.
3. Ligue à tomada.
4. Defina o controlo de temperatura para a posição "●●●" (3 pontos), caso contrário, poderá sair água pela base se a temperatura for demasiado baixa. A luz indicadora liga-se indicando que o ferro está ligado.
5. A luz indicadora desliga-se quando a temperatura necessária for alcançada.
6. Pressione o botão de Vapor Forte uma vez.
7. Poderá ser necessário pressionar o botão de Vapor Forte algumas vezes para iniciar a função.

8. O vapor vai penetrar na roupa para remover os vincos.
9. Aguarde alguns segundos antes de pressionar o botão de Vapor Forte novamente quando existirem alguns vincos mais difíceis.
10. Para qualidade de vapor óptima, não utilize o Vapor Forte mais que três vezes após a luz indicadora se desligar.

NOTA: Para prevenir vazamento de água da base, não mantenha pressionado o botão de vapor forte durante mais de 5 segundos.

ANTI-CALCÁRIO

A função de Anti-Calcário filtra os minerais da água para prevenir que se amontoe resíduo mineral na câmara de vapor.

ANTI-GOTAS

O ferro pára automaticamente de deitar vapor quando a temperatura estiver demasiado baixa para prevenir que saia água da base do ferro.

QUANDO TERMINAR DE PASSAR

- a. Defina o controlo de temperatura para a posição OFF.
- b. Desligue a ficha da tomada.
- c. Coloque o ferro no suporte de descanso.

FUNÇÃO DE AUTO-LIMPEZA

1. Esta função remove os resíduos de escalas e minerais na Câmara de Vapor. O ferro vai continuar a funcionar correctamente se esta função for realizada pelo menos uma vez por mês ou mais regularmente dependendo da qualidade da água utilizada.
2. Encha o tanque até meio e coloque-o na vertical.
Cuidado: Mantenha a pele/corpo longe do alcance das superfícies quentes.
3. Ligue à tomada.
4. Defina o controlo de temperatura para a posição de "●●●" (3 pontos). A luz indicadora liga-se indicando que o ferro está ligado.
5. A luz indicadora desliga-se quando a temperatura necessária for alcançada.
6. Segure no ferro na horizontal sobre uma pia.
7. Empurre o botão de controlo de vapor para a posição de auto limpeza "☂" e mantenha pressionado até que a água a ferver, vapor e impurezas saiam dos buracos da base.
8. Desligue o cabo de alimentação da tomada eléctrica.
9. Quando a auto-limpeza terminar, gire o controlo de vapor para a posição "☂" e gire o controlo de temperatura para a posição "OFF". Vire o ferro ao contrário e deixe a água toda sair.

CUIDADO E LIMPEZA

1. Gire o controlo de temperatura para "OFF", desligue o ferro da tomada de parede e deixe arrefecer completamente.
2. Os depósitos e outros resíduos da base podem ser removidos com um pano milhado em solução de vinagre com água.
3. Para limpar o exterior do seu ferro, limpe com um pano suave humedecido e seque com um pano seco.
4. Não utilize palhas-de-aço, limpadores abrasivos ou forte para limpar a base do ferro.
5. Mantenha a base suave, não passe sobre objectos afiados como botões, tachas e fechos.

ARMAZENAMENTO

1. Defina o controlo de vapor para a posição "☒" e gire o controlo de temperatura para a posição "OFF".
2. Desligue o cabo de alimentação da tomada de parede.
3. Vire o ferro ao contrário e agite gentilmente para remover a água restante no tanque de água.
4. Coloque o ferro na vertical e deixe arrefecer completamente.
5. Armazene o ferro sempre no suporte de descanso.
6. Não armazene o ferro com a base para baixo, ou na caixa.

TERMO DE GARANTIA

**FAVOR ANEXAR AQUI SEU RECIBO/FISCAL DE COMPRA.
EM CASO DE RECLAMAÇÃO DURANTE O PRAZO DA GARANTIA ESTE RECIBO/ FISCAL DE
COMPRA DEVE SER APRESENTADO JUNTAMENTE COM ESTA GARANTIA.**

Número do modelo	(Número do lote:)
Nome do produto	
Data da compra	
Local da compra	

1. A parte vendedora do produto (“vendedor”) ao comprador original deste produto (“comprador”) garante por meio deste que o produto é de boa qualidade e, está em perfeitas condições de funcionamento e, sem defeitos e adequado para uso doméstico normal por um período de 1 (um) ano a partir da data da compra (“período da garantia”) deste produto.
2. No caso em que o período de garantia não expirou e o produto não é de boa qualidade, ou em bom estado de funcionamento ou, está com defeito ou não é adequado para a sua finalidade em uso doméstico normal, o cliente pode, de acordo com o Paragrafo 3 ° abaixo, devolver o produto ao vendedor e ter as seguintes opções disponíveis:
 - 2.1 Nos primeiros 6 (seis) meses da garantia: para receber um reembolso do preço efetivamente pago ou a troca do produto para o mesmo produto ou similar do mesmo valor adquirido;
 - 2.2 Dentro dos segundos 6 (seis) meses da garantia: ter o produto trocado para o mesmo produto ou similar do mesmo valor comprado.
3. O vendedor não irá substituir o produto ou reembolsar o comprador de acordo com os termos desta garantia se o produto:
 - 3.1 for modificado contrariando as instruções fornecidas no manual do produto;
 - 3.2 sofrer uso inadequado, abuso ou modificação;
 - 3.3 for defeituoso ou não em condições de funcionamento devido ao desgaste natural
 - 3.4 for danificado devido a negligencia, imprudencia, comportamento malicioso ou criminoso por parte do comprador.
 - 3.5 for utilizado para fins comerciais.
4. Esta garantia aplica-se somente ao produto adquirido do vendedor, não cobrindo quaisquer itens agregados ou instalados no produto pelo comprador.
5. Qualquer reclamação nos termos desta garantia deve ser acompanhada da prova original de compra.
6. Note que o item de troca só irá transportar o saldo do período de garantia a partir da data de compra original.


INTRODUCTION

Merci de d'avoir acheté notre fer à vapeur de "Platinum". Chaque unité a été fabriquée pour assurer la sécurité, la fiabilité et la facilité d'utilisation. Avant d'utiliser, lisez attentivement ces instructions et les conservez pour référence future.

PRÉCAUTIONS IMPORTANTES

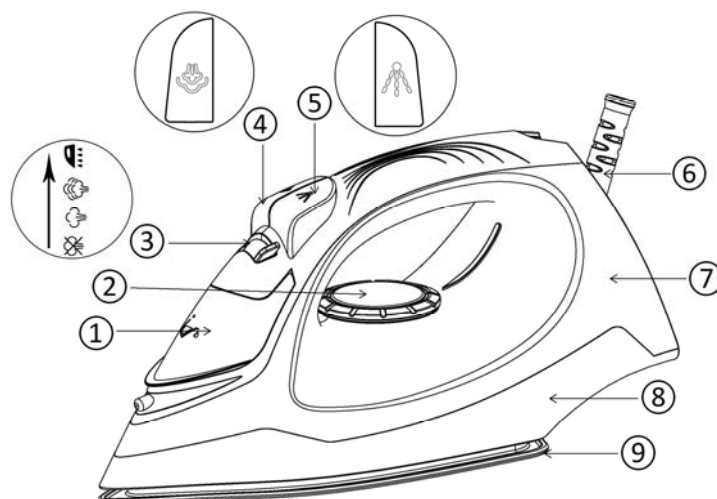
Lorsque vous utilisez votre fer à vapeur de "Platinum", il faut respecter les précautions de base, y compris ce qui suit:

- Le cordon d'alimentation endommagé doit être remplacé par le fabricant, son agent de service ou des personnes de qualification similaire afin d'éviter tout danger.
- L'appareil n'est pas destiné à être utilisé par des personnes (y compris les enfants) ayant une déficience physique réduite, des capacités sensorielles ou mentales, ou le manque d'expérience et de connaissances concernant l'utilisation de ce produit, sauf si elles sont supervisées ou ont reçu l'instruction concernant l'utilisation de l'appareil par une personne responsable de leur sécurité.
- Les enfants doivent être surveillés afin qu'ils ne jouent pas avec l'appareil.
- La supervision étroite est requise lorsque l'appareil est utilisé à proximité des enfants et des malades.
- Ce produit est utilisé pour les personnes qui ont le sens ou une déficience visuelle et le manque d'expérience et de connaissances (y compris les enfants).
- Assurez-vous toujours que la tension sur l'étiquette d'identification correspond à la tension dans la maison.
- Vérifiez le cordon d'alimentation et branchez régulièrement pour tout dommage. Si le cordon ou la fiche est endommagé, il doit être remplacé par le fabricant ou une personne qualifiée afin d'éviter un danger électrique.
- Cet appareil est destiné à un usage domestique uniquement. L'utilisation industrielle ou commerciale annulera la garantie, et le fournisseur ne peut pas être tenu responsable des blessures ou des dommages causés lors de l'utilisation de l'appareil à d'autres fins que celles visées.
- Une opération incorrecte et une mauvaise utilisation peuvent endommager l'appareil et causer des blessures à l'utilisateur.
- Ne pas utiliser l'appareil si elle est tombé ou endommagé de quelque façon. En cas de dommage, prendre l'appareil pour examen et / ou de réparation par un agent de service autorisé.
- Ne pas immerger ou exposer l'ensemble moteur, branchez ou le cordon d'alimentation à l'eau ou tout autre liquide afin de réduire le risque de choc électrique.
- Ne jamais plonger l'appareil dans l'eau ou tout autre liquide à des fins de nettoyage.
- Retirez la fiche de la prise en saisissant la fiche. Ne tirez pas sur le cordon pour débrancher l'appareil. Toujours débrancher l'appareil lorsqu'il ne sert pas ou avant de le nettoyer.
- L'utilisation d'accessoires de pièces jointes qui ne sont pas recommandés ou fournis par le fabricant peut entraîner des blessures, un incendie ou un choc électrique.
- Ne pas laisser le cordon pendre sur le bord d'une table ou d'un comptoir. Assurez-vous que le cordon est pas dans une position où il peut être tiré par inadvertance.
- Ne pas laisser le cordon toucher des surfaces chaudes et ne placez pas sur ou près d'un brûleur à gaz ou électrique ou dans un four chauffé. Gardez-le dans un endroit frais et sec à l'abri du rayonnement solaire direct, s'il vous plaît.

- Ne jamais utiliser cet appareil à proximité de baignoires, douches, lavabos ou autres récipients contenant de l'eau.
- Il est déconseillé d'utiliser une rallonge avec cet appareil. Cependant, s'il est nécessaire d'utiliser un câble de rallonge, veiller à ce que la sonde est adaptée à la consommation d'énergie de l'appareil afin d'éviter une surchauffe de la rallonge, l'appareil ou le point de prise. Ne pas placer le cordon d'extension dans une position où il peut être tiré par des enfants ou des animaux ou trébucher.
- Cet appareil n'est pas adapté à l'usage extérieur. Ne pas utiliser cet appareil pour autre chose que son utilisation prévue.
- Ne pas laisser cet appareil sans surveillance lors de l'utilisation. Toujours débrancher l'appareil lorsqu'il ne sert pas. Laissez-le refroidir avant de le nettoyer.
- Repasser uniquement sur une planche à repasser.
- Toujours utiliser l'appareil sur une surface plane, lisse et stable. Ne pas placer l'appareil sur une surface chaude.
- Le fabricant n'accepte aucune responsabilité pour tout dommage ou préjudice causé par l'usage impropre ou incorrecte de l'appareil, ou par des réparations effectuées par des personnes non autorisées.
- En cas de problèmes techniques, éteindre la machine et ne pas tenter de réparer vous-même. Retournez l'appareil à un centre de service autorisé aux fins d'examen, l'ajustement ou la réparation. Toujours insister sur l'utilisation de pièces de rechange d'origine. Le non-respect des consignes et des instructions mentionnées ci-dessus, pourrait affecter le fonctionnement en toute sécurité de cette machine.
- Ne jamais tirer le cordon lors de la déconnexion de la prise de courant; à la place, saisissez la fiche et ne tirez pour débrancher.
- Ne pas laisser le cordon toucher des arêtes vives et des surfaces chaudes.
- Lorsque vous avez fini de repasser ou lorsque vous quittez le fer sans surveillance:
 - a. Tournez le bouton de commande de vapeur "  " sur la position et tournez la commande de température sur "OFF".
 - b. Tenez le fer en position verticale.
 - c. Débranchez le fer de la prise murale.
- Ne pas toucher les pièces métalliques chaudes, l'eau chaude ou de la vapeur. Ces parties deviennent chaudes et peuvent provoquer des brûlures. Faites attention si vous tournez le fer à l'envers. Il peut exister de l'eau chaude dans le réservoir.
- La fiche et le cordon ne doivent pas être autorisés à toucher la semelle chaude. Laisser le fer refroidir avant de l'ôter.
- La fiche doit être retirée de la prise de courant avant que le réservoir d'eau est rempli d'eau.
- L'ouverture de remplissage ne doit pas être ouverte pendant l'utilisation. Instructions pour le remplissage en toute sécurité du réservoir d'eau doivent être donnés.
- Le fer doit être utilisé et posé sur une surface stable.
- Lorsque vous placez le fer sur son support, veiller à ce que la surface sur laquelle le support est placé est stable.
- Le fer ne doit pas être utilisé s'il a été abandonné, et s'il y a des signes visibles de dommages ou s'il fuit.
- ATTENTION: Ne pas utiliser un autre appareil à haute puissance sur le même circuit pour éviter une surcharge du circuit.

CONNAÎTRE VOTRE FER À VAPEUR

1. Couvercle d'entrée d'eau
2. Molette de commande de la température
3. Commande de vapeur et manette autonettoyante
4. Bouton de vapeur d'éclatement
5. Bouton de pulvérisation
6. Protecteur du cordon d'alimentation
7. Réservoir d'eau
8. Jupe de chauffage
9. Semelle



SPÉCIFICATION

Capacité : 250 ml (Réservoir d'eau seulement)
 Tension : AC 220V-240V / 50Hz
 Puissance en watts : 1800W - 2200W

Prise	Article n°	Modèle n° / Article n°	EAN
3R 16A Prise d'Afrique du Sud	10516871	EI8899 (SR 7483565)	6001224293692
3 Broches Plates	10531902	EI8899 (SR 7737747)	6001224342192
Schuko	10531904	EI8899 (SR 7737785)	6001224342185

FONCTION

1. Repassage à vapeur.
2. Régulation de la température, pulvérisation d'eau, repassage à sec, vapeur variable, vapeur d'éclatement.
3. Anti-goutte, anti-calc. et auto-nettoyage.

Avertissement:



Ce symbole signifie que la surface pourrait devenir chaud lors de l'utilisation.

CONSEILS AVANT L'UTILISATION INITIALE


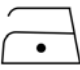


1. Certaines parties du fer ont été légèrement graissées et, en conséquence, le fer peut fumer légèrement lorsqu'il est allumé pour la première fois. Il ne se produira pas de nouveau après quelques utilisations.
2. Retirer les emballages et les étiquettes de protection de la semelle et le nettoyer avec un chiffon doux et humide.
3. Lorsqu'on utilise le fer pour la première fois, s'il vous plaît tester sur un vieux morceau de tissu pour faire en sorte que la semelle et le réservoir d'eau sont complètement propres.
4. Attendez environ trois minutes avant de repasser les tissus sensibles à la chaleur. L'ajustement de la température nécessite un certain temps pour atteindre le niveau requis - peu importe s'il est supérieure ou inférieure.

FRANÇAIS

5. Les textiles délicats comme la soie, la laine, velours, etc. sont mieux repassés avec une planche à linge pour éviter les marques de brillance.
6. Tournez la commande de température à la position désirée en alignant le réglage sur le cadran, avec l'indicateur de température. Le voyant se met en marche pour indiquer que le fer est un chauffage à la température sélectionnée. Lorsque le voyant éteint le fer est à la température sélectionnée et est prêt à l'emploi.

RÉGLAGE DE LA TEMPÉRATURE

1. Vérifiez toujours l'étiquette du vêtement pour le repassage des instructions avant de repasser l'argument.
2. Si les instructions de repassage sont absents, le tableau ci-dessous peut vous aider.
3. D'abord, vous devez trier le linge: la laine avec de la laine, le coton avec du coton etc. Commencez à repasser les tissus nécessite la plus basse température et progresse vers les plus élevées, parce que le fer chauffe plus vite qu'il ne refroidit.
4. Si le tissu est constitué de différents types de fibres (par exemple coton polyester), vous devez toujours sélectionner la température de repassage pour le matériau à la température la plus basse recommandée.
5. Le tissu en pure laine (100% laine) peut être repassé avec l'appareil dans la position de vapeur de préférence, sélectionnez une position élevée de vapeur et d'utiliser un chiffon sec de repassage.
6. Tournez la commande de température à la température désirée.
7. La température souhaitée est atteinte lorsque le voyant est éteint. Le voyant s'allume et s'éteint de temps en temps, qui indique que la température sélectionnée est maintenue.

ÉTIQUETTE	TYPE DE TEXTILE
	Ne pas repasser cet article
	Synthèse (Nylon, acrylique, rayonne, polyester)
	Laine, soie
	Coton, lin

REPLISSAGE DU RÉSERVOIR D'EAU

1. Avant de remplir l'eau, retirez la fiche d'abord.
2. Tournez le bouton de commande de vapeur sur la position "☒".
3. Ouvrez le bouchon de remplissage et versez de l'eau du robinet de remplissage de la cruche à travers le trou d'entrée d'eau dans le réservoir.
** Ne pas remplir le réservoir au-delà de l'indication de "MAX".
4. Si l'eau de votre région est particulièrement difficile, il est conseillé d'utiliser l'eau distillée ou déminéralisée.
5. Ne pas utiliser de vinaigre, d'amidon ou de l'eau détartrée chimiquement.
6. Appuyez pour fermer le bouchon de remplissage.

REPASSAGE À SEC

1. Branchez l'alimentation électrique.
2. Tournez le bouton de commande de vapeur à la position "☒".
3. Tournez la commande de la température dans le sens horaire; sélectionner ● (1 point), ●● (2 points) or ●●● (3 points) conformément à la recommandation de l'étiquette de vêtement.
4. Le voyant est allumé, puis mettre le fer sur une surface lisse et stable verticalement.
5. Lorsque la température requise est atteinte; le voyant s'éteint. Le fer est prêt à l'emploi.

FONCTION DE PULVÉRISATION

1. Cette fonction peut être utilisable à tout moment et il ne modifie pas la température de repassage.
2. Assurez-vous qu'il a suffisamment d'eau dans le réservoir d'eau.
3. Orientez la buse vers le vêtement.
4. Appuyez sur le bouton de pulvérisation pour un couple de fois pour humidifier le vêtement.

FONCTION DE LA VAPEUR

1. Assurez-vous qu'il a suffisamment d'eau dans le réservoir d'eau.
2. Branchez l'alimentation électrique.
3. Tournez la commande de la température dans le sens horaire pour le réglage "●●●" (3 points) ou "●●" (2 points). (Ne pas utiliser le réglage de 1 point pour le repassage à la vapeur). Le voyant est allumé, qui indique que le fer est allumé.
4. Après le voyant s'éteint, il indique que la température sélectionnée est atteinte.
5. Tournez le bouton de commande de vapeur sur la position souhaitée. La vapeur d'eau sera pulvérisée et vous pouvez commencer le repassage.
6. Pendant les pauses dans le repassage, déposer le fer en position verticale.
7. Lorsque vous avez fini de repasser, retirez la fiche de l'alimentation électrique et le laisser refroidir. Tourner le fer à l'envers et permettre à l'eau de sortir.

AVERTISSEMENT: Éviter d'entrer en contact avec de la vapeur éjectée.

FONCTION DE JETS DE VAPEUR

1. Cette fonction donne une quantité supplémentaire de vapeur pour éliminer les rides tenaces.
2. Remplir le réservoir d'eau avec de l'eau.
3. Branchez l'alimentation électrique.
4. Réglez la commande de température à la position "●●●"(3 points), autrement, l'eau peut sortir de la semelle de la température est basse. Le voyant s'allume pour indiquer que le fer est allumé.
5. Le voyant s'éteint lorsque la température requise est atteinte.
6. Appuyez sur la touche d'éclats de vapeur une fois.
7. Il peut être nécessaire d'appuyer sur la touche d'éclats de vapeur à quelques reprises pour lancer la fonction.
8. La vapeur d'eau va pénétrer dans le vêtement pour enlever les rides.
9. Attendez quelques secondes avant d'appuyer sur les éclats de bouton de vapeur à nouveau, quand il y a des rides tenaces.
10. Pour une qualité optimale de la vapeur, ne pas utiliser les jets de vapeur plus de trois fois après le témoin lumineux s'éteint.

REMARQUE: Ne pas garder le bouton de vapeur puissant enfoncée pendant plus de 5 secondes afin d'éviter les fuites d'eau provenant de la semelle

ANTI-CALC.

La fonction anti-calc. filtre les minéraux de l'eau pour éviter les résidus minéraux accumulés dans la chambre à vapeur.

ANTI-DRIP

Le fer interrompt automatiquement le streaming lorsque la température est trop faible pour empêcher l'eau de couler hors de la semelle.

LORSQUE VOUS AVEZ TERMINÉ LE REPASSAGE

- a. Réglez le sélecteur de température sur la position OFF.
- b. Retirez la fiche principale de la prise murale.
- c. Tenez le fer à repasser sur le talon de repos.


FONCTION D'AUTO-NETTOYAGE

1. Cette fonction supprime les échelles et les minéraux accumulés dans la chambre à vapeur. Le fer demeurera en meilleur état, si la fonction est effectuée au moins une fois par mois ou plus régulièrement en fonction de la dureté de l'eau utilisée.
2. Remplissez le réservoir d'eau jusqu'à la moitié et tenez le fer en position verticale.
Avertissement: Gardez la peau / le corps loin de la surface chaude.
3. Branchez l'alimentation électrique.
4. Réglez la commande de température à la position "●●●" (3 points). Le voyant est allumé qui indique que le fer est allumé.
5. Le voyant éteint lorsque la température requise est atteinte.
6. Tenez le fer horizontalement au-dessus d'un évier.
7. Poussez le bouton de contrôle de la vapeur à la position d'auto-nettoyage "☁" et maintenez-le jusqu'à ce que de l'eau bouillante, de la vapeur et des impuretés sortent des trous de la semelle.
8. Débranchez le fer de la prise électrique.
9. Lorsque l'auto-nettoyage est terminé, commutez la commande de vapeur à la position "☁" et tournez la commande de température à la position «OFF». Tournez le fer à l'envers et permettez à l'eau de s'écouler.

SOINS ET NETTOYAGE

1. Tournez la commande de température sur "OFF", puis débranchez le fer de la prise murale et laissez-le refroidir complètement.
2. Les dépôts et autres résidus sur la semelle peuvent être enlevés avec un chiffon imbibé d'une solution de vinaigre / eau diluée.
3. Essuyez avec un chiffon doux et humide et essuyez, pour nettoyer l'extérieur de votre fer.
4. Ne pas utiliser de tampons à récurer, abrasifs ou de nettoyants agressifs pour nettoyer la semelle.
5. Gardez la semelle lisse, ne pas repasser sur des objets pointus, tels que des boutons, des goujons et des fermetures à glissière.

STOCKAGE

1. Tournez la commande de vapeur sur la position "  " et tournez la commande de température à la position «OFF».
2. Débranchez le fer de la prise murale.
3. Tenez le fer à l'envers et le secouer doucement pour enlever l'eau restant dans le réservoir d'eau.
4. Tenez le fer en position verticale et laissez refroidir complètement.
5. Rangez toujours le fer sur son talon.
6. Ne stockez pas le fer avec la semelle vers le bas, ou dans le carton.

GARANTIE

**APPOSEZ VOTRE REÇU/PREUVE D'ACHAT À CET EMBLEMMENT.
EN CAS DE RÉCLAMATION COUVERTE PAR LA GARANTIE, LE REÇU /LA PREUVE D'ACHAT
MENTIONNÉS AUPARAVANT DOIVENT ÊTRE JOINTS À CETTE GARANTIE.**

Numéro de modèle	(Numéro de lot: _____)
Nom du produit	
Date d'achat	
Lieu d'achat	

1. La partie qui vend le produit ("le vendeur") à l'acheteur original de ce produit ("le client") assure que ce produit sera de bonne qualité et, en bon état de fonctionnement et, sans défaut, et adapté à l'usage pour lequel il est prévu, sous des conditions normales d'utilisation domestique, pendant une période d'1 (un) an à partir de la date d'achat du produit (période de garantie).
2. Au cas la période de garantie ne soit pas écoulée et que le produit ne soit plus en bon état ou en état de marche, qu'il soit défectueux ou ne soit plus approprié à son usage prévu dans des conditions normales d'utilisation domestique, le client peut, sous réserve de remplir les conditions du Paragraphe 3 ci-dessous, retourner le produit au revendeur et dispose des possibilités suivantes :
 - 2.1 Durant les 6 (six) premiers mois de garantie: être remboursé à hauteur du prix d'achat ou échanger le produit contre un produit identique ou similaire dont le prix correspond au prix payé.
 - 2.2 Après les 6 (six) premiers mois de garantie: échanger le produit contre un produit identique ou similaire dont le prix correspond au prix payé.
3. Dans les conditions de cette garantie, le produit ne sera ni remplacé, ni remboursé si celui-ci:
 - 3.1 a été modifié contrairement aux instructions fournies dans le manuel du produit;
 - 3.2 a été mal utilisé, maltraité ou altéré;
 - 3.3 est défectueux ou en mauvais état de fonctionnement suite à une usure normale.
 - 3.4 est endommagé suite à une faute grave du client, ou à un comportement insouciant, malintentionné ou délictueux;
 - 3.5 a été employé pour un usage commercial.
4. Cette garantie ne s'applique qu'au produit qui a été acheté au vendeur et non pas à un quelconque accessoire attaché ou installé sur le produit par le client.
5. Toute réclamation liée à cette garantie doit être accompagnée par la preuve originale d'achat.
6. Remarquez que l'élément d'échange portera le solde de la durée de la garantie à partir de la date d'achat d'origine.